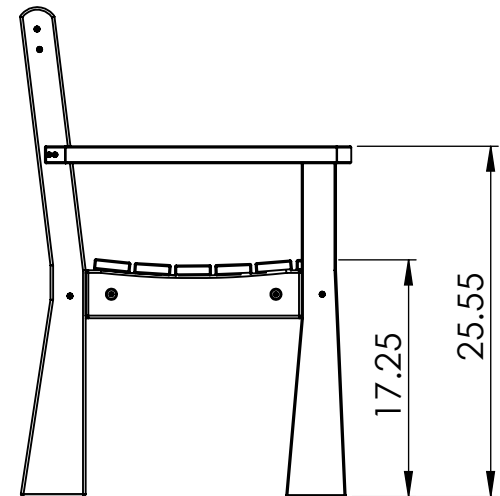
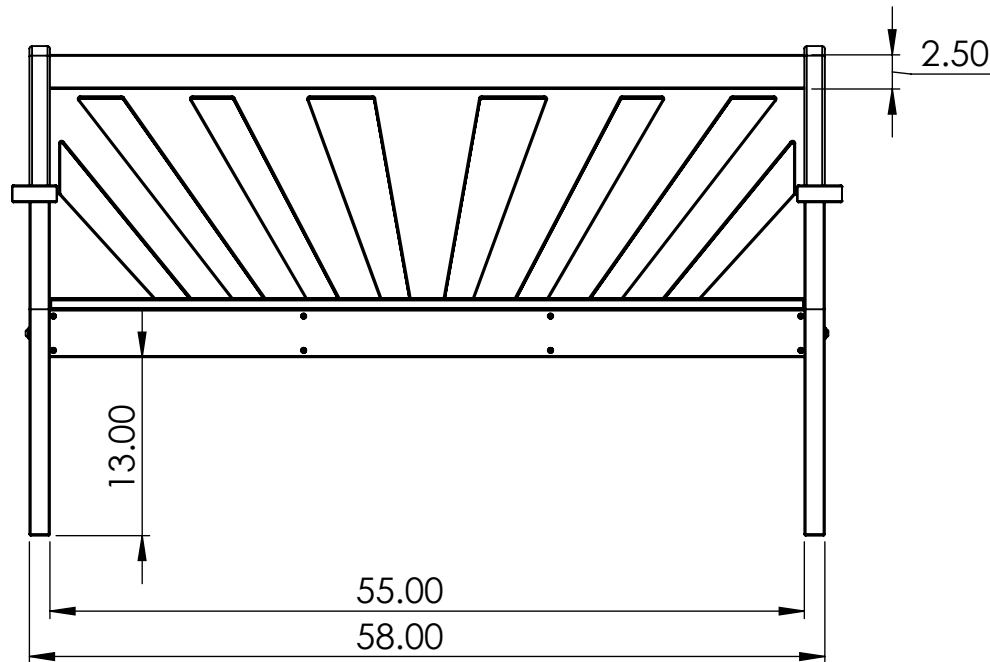
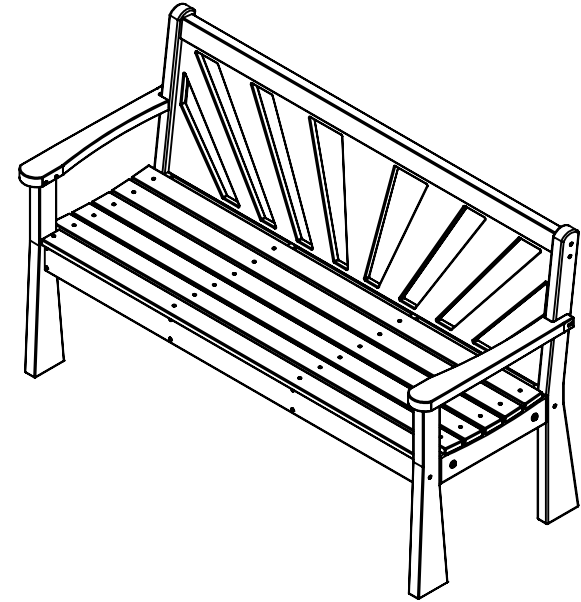
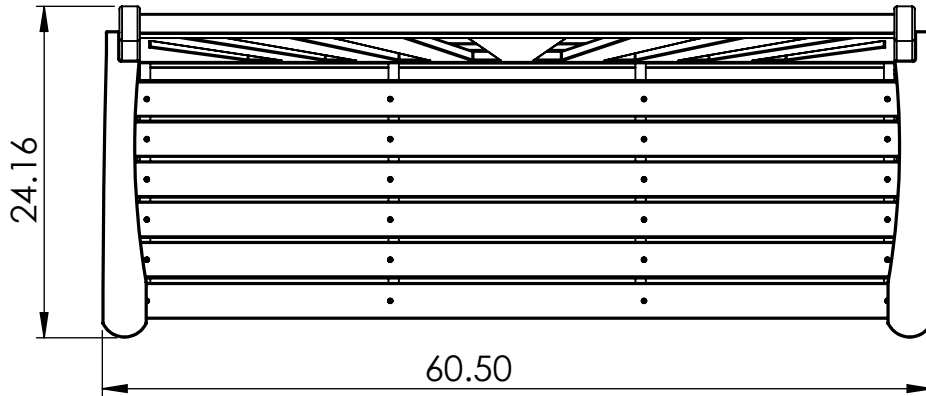


BENCH SPECIFICATIONS

CF1100 REV# 2
9-12-2022



CONSTRUCTION MATERIALS:
Recycled Plastic
HARDWARE:
Stainless Steel

ALL DIMENSIONS SHOWN IN INCHES