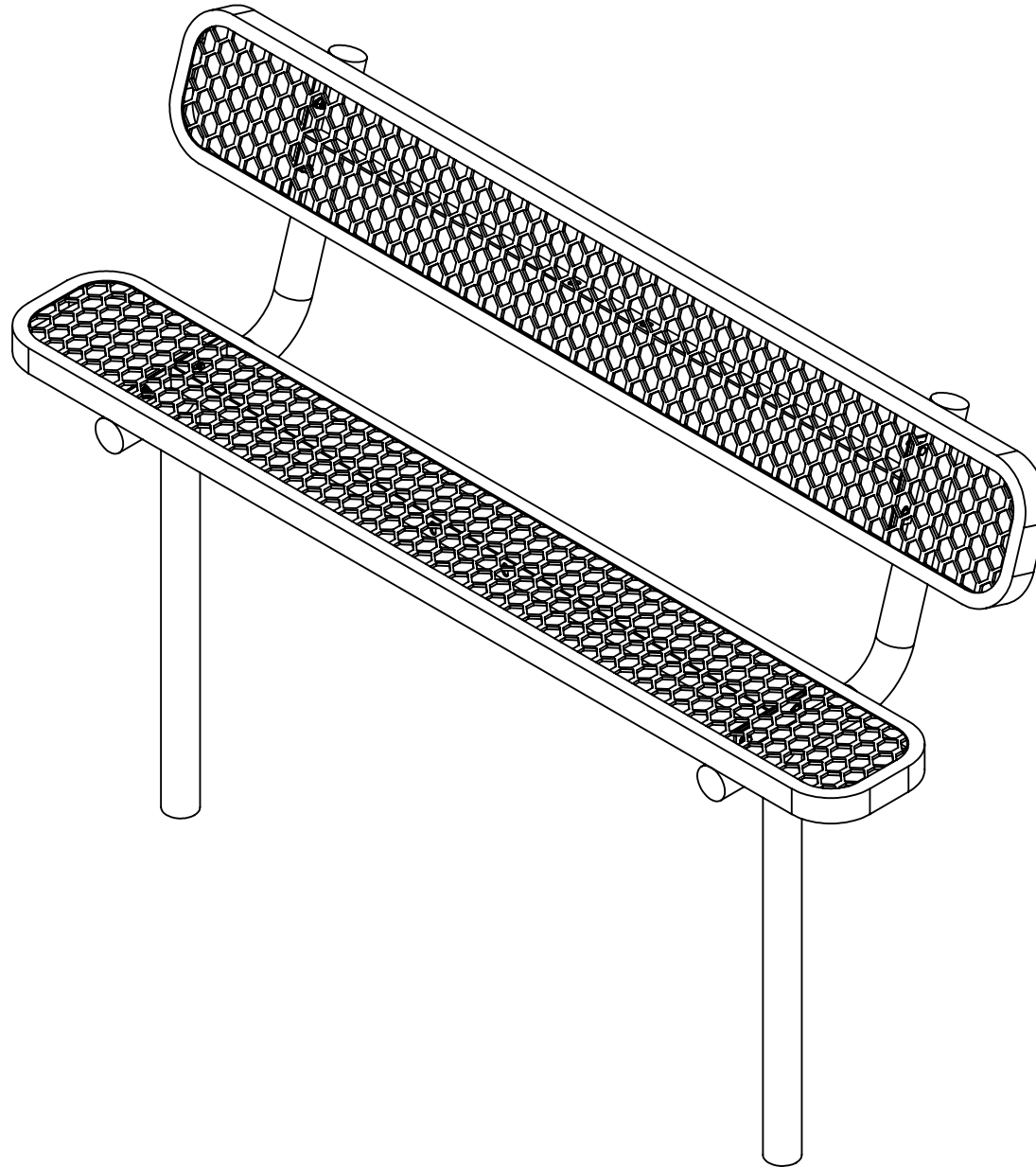


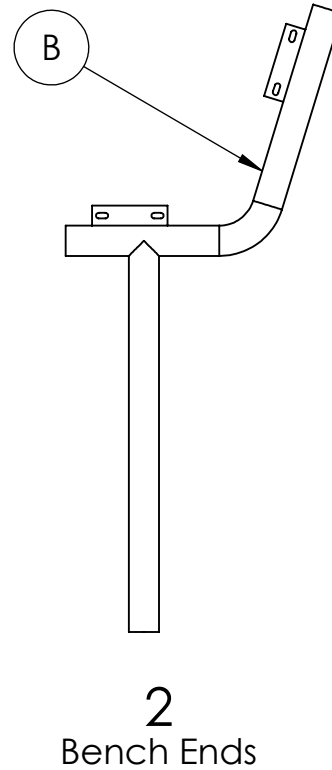
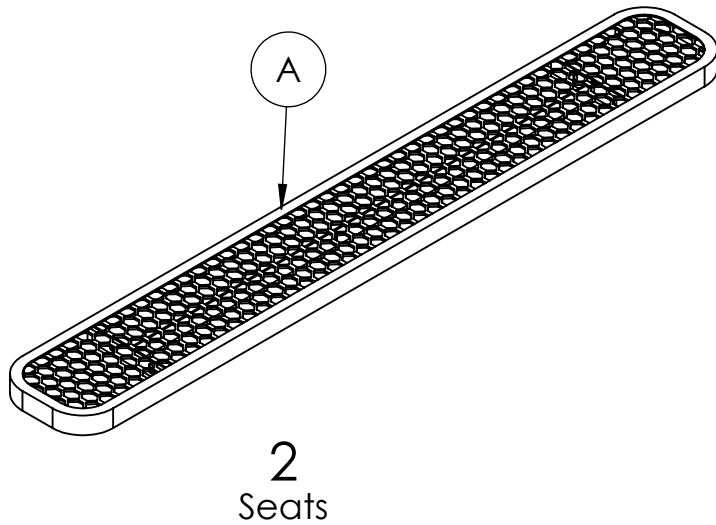
INSTRUCTIONS

10/28/2014
REV. 1

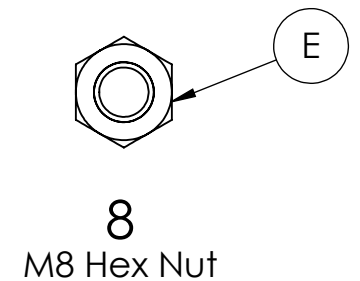
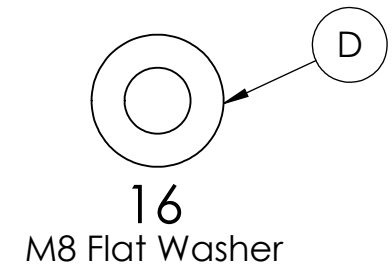
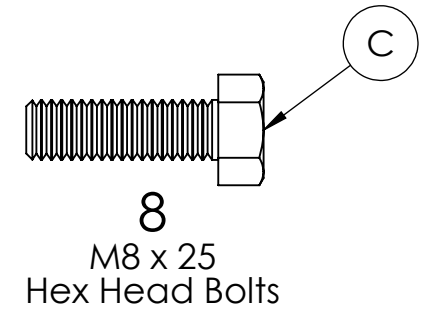
PART NUMBERS:
02SA2620 (6FT)
02SA2623 (8FT)



INSTRUCTIONS



HARDWARE



**REQUIRED TOOLS
(NOT INCLUDED)**
1 - 13MM WRENCH
1 - 13MM SOCKET

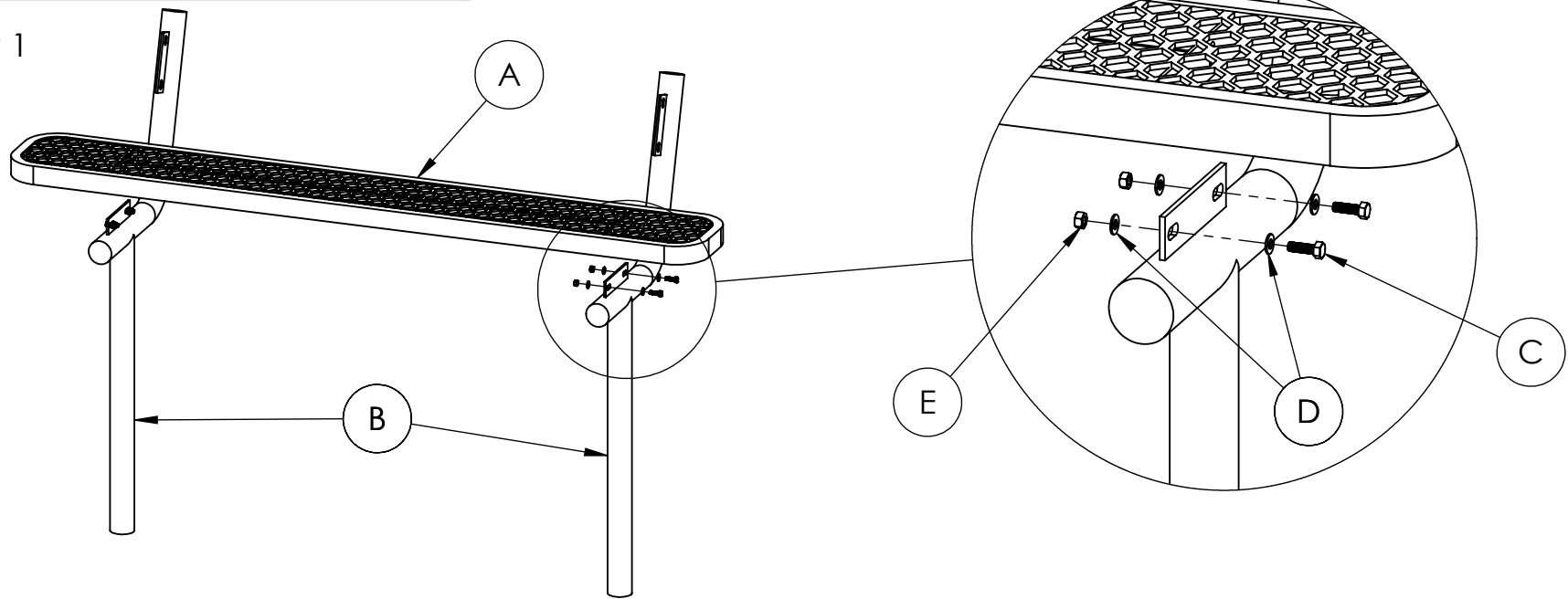
NOTE: IT IS IMPORTANT TO KEEP ALL BOLTS FINGER TIGHT DURING ASSEMBLY UNTIL ENTIRE UNIT IS ASSEMBLED

**HARDWARE &
TOOLS REQUIRED
FOR ASSEMBLY**

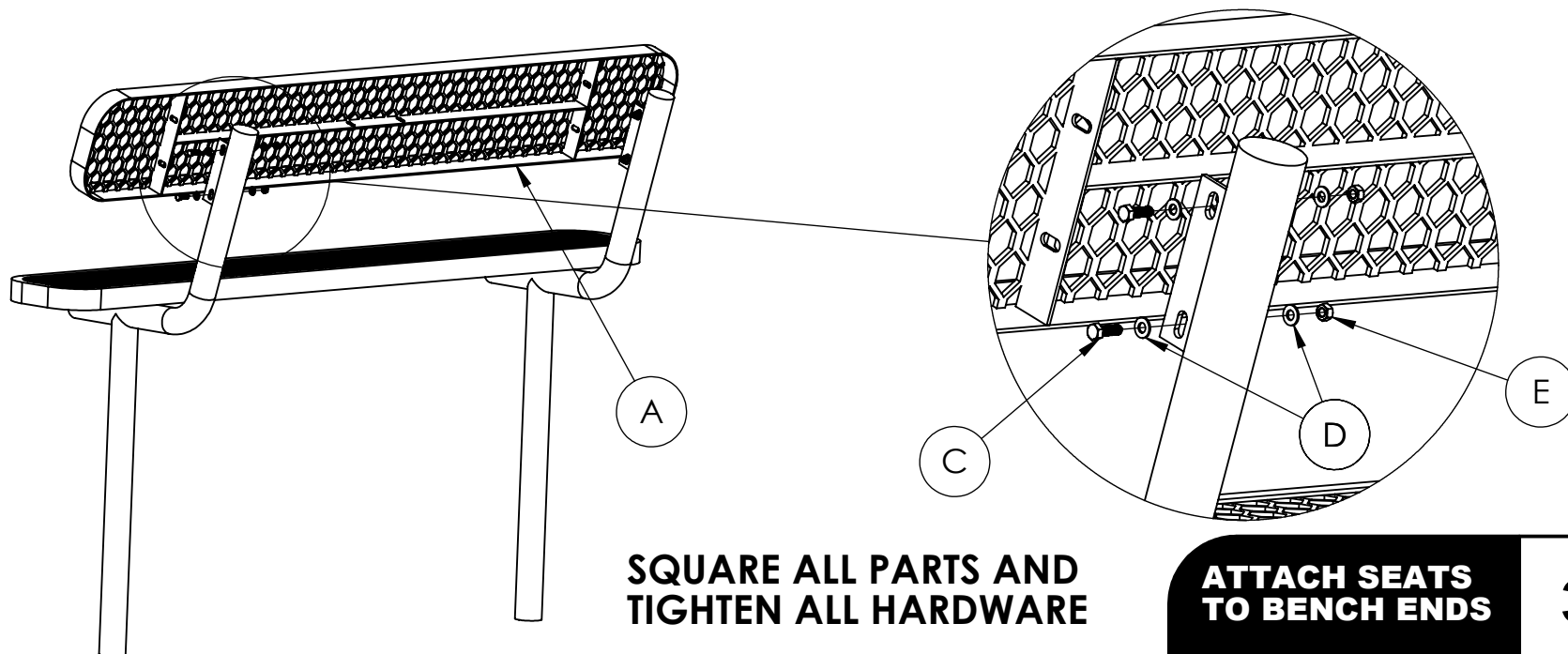
2/4

INSTRUCTIONS

STEP 1



STEP 2



**SQUARE ALL PARTS AND
TIGHTEN ALL HARDWARE**

**ATTACH SEATS
TO BENCH ENDS**

3/4

SPECIFICATIONS

ALL DIMENSIONS ARE SHOWN IN INCHES

