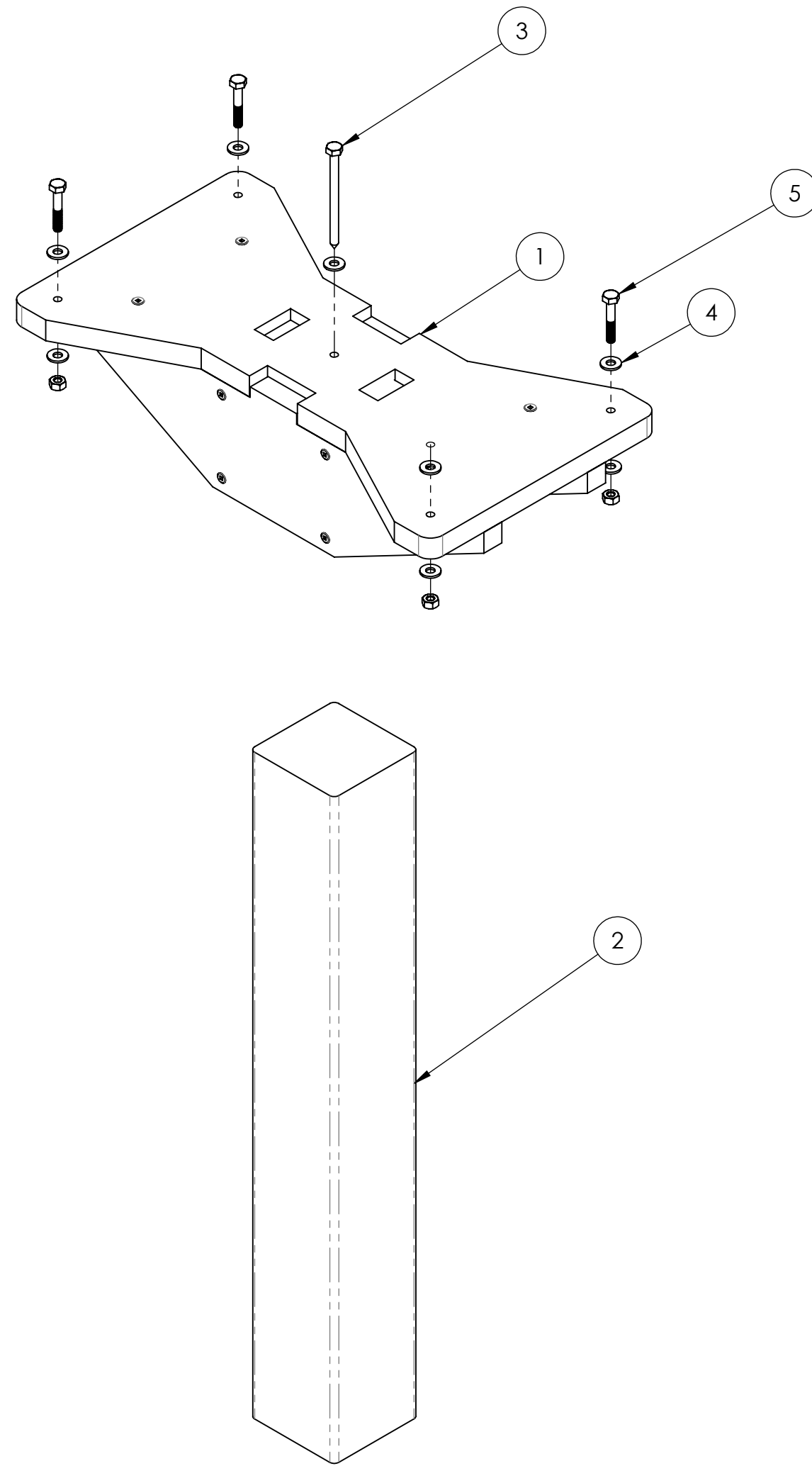


NOTE: ALL MATERIAL IS ReHDPE UNLESS NOTE

| | | | | | | | | | |
|--|--|--|--|---|--|--|--|-------------------|--|
| PROPRIETARY AND CONFIDENTIAL THE INFORMATION CONTAINED IN THIS DRAWING IS THE SOLE PROPERTY OF KIRBYBUILT. ANY REPRODUCTION IN PART OR AS A WHOLE WITHOUT THE WRITTEN PERMISSION OF KIRBYBUILT IS PROHIBITED. | | JIG NUMBER MATERIAL STOCK SIZE LENGTH | | NAME DATE MRK 9/20/12 SCALE: 1:4 SHEET 1 OF 2 | | PART NAME: 32 GALLON POST MOUNT KIT DWG. NAME: ATR2065-SPEC | | REV 001 | |
|--|--|--|--|---|--|--|--|-------------------|--|



| | PART NUMBER | DESCRIPTION | StockSize | Length | QTY. |
|---|----------------------------|------------------------------------|-----------|--------|------|
| 1 | ATR-A0009 | 32 GALLON POST MOUNT BASE ASSEMBLY | | | 1 |
| 2 | ATR-P0168 | POST MOUNT INGROUND POST | 4X4 | 24.00 | 1 |
| 3 | HLSCREW 0.2500x3.5 | | | | 1 |
| 4 | Preferred Narrow FW 0.25 | | | | 9 |
| 5 | HBOLT 0.2500-20x1.5x0.75-S | | | | 3 |
| 6 | HNUT 0.2500-20-D-N | | | | 4 |

| | | | | | |
|---|------------|--------------|---------|---|---------------------|
| PROPRIETARY AND CONFIDENTIAL THE INFORMATION CONTAINED IN THIS DRAWING IS THE SOLE PROPERTY OF KIRBYBUILT. ANY REPRODUCTION IN PART OR AS A WHOLE WITHOUT THE WRITTEN PERMISSION OF KIRBYBUILT IS PROHIBITED. | | JIG NUMBER | | PART NAME: 32 GALLON POST MOUNT KIT | |
| | | MATERIAL | NAME | DATE | SIZE |
| STOCK SIZE | DRAWN | MRK | 9/20/12 | A | ATR2065-SPEC |
| LENGTH | SCALE: 1:4 | SHEET 2 OF 2 | | REV | 001 |