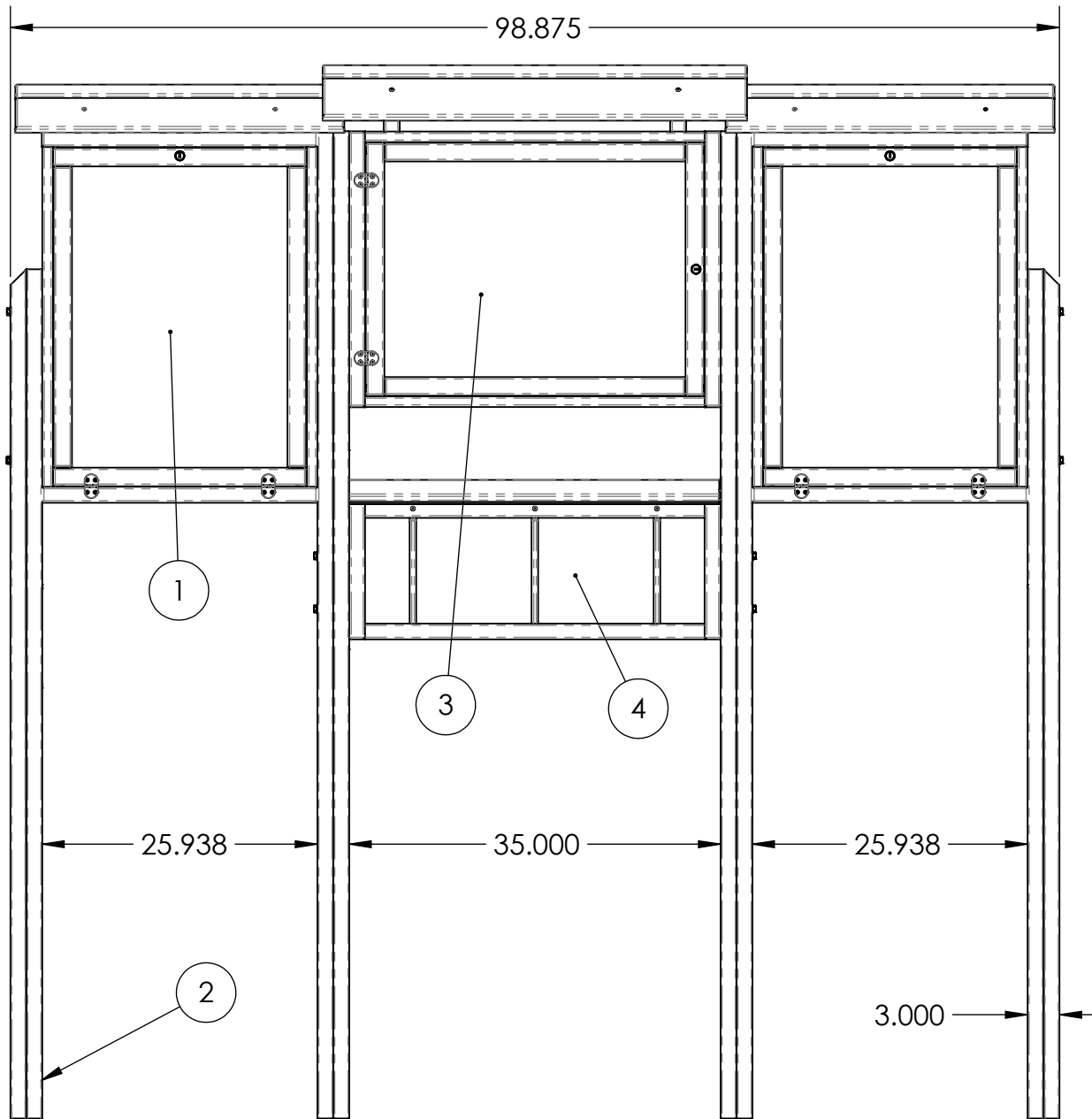
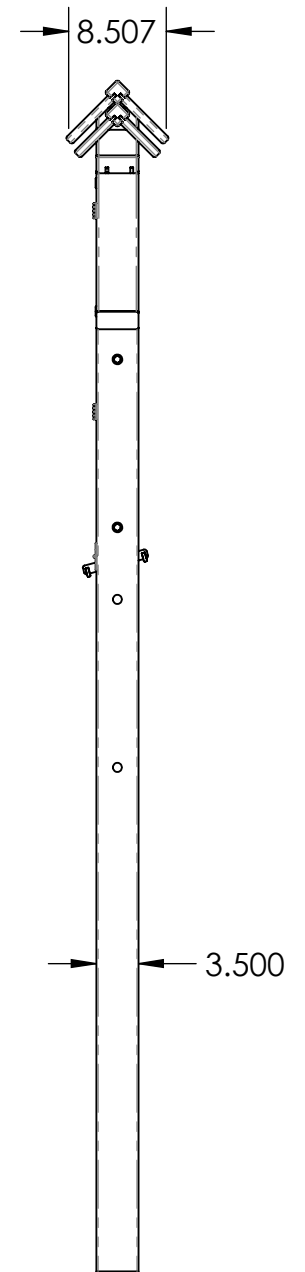


# THREE-IN-LINE KIOSK INGROUND MOUNT

KMC2610  
Rev #1 1-27-2021



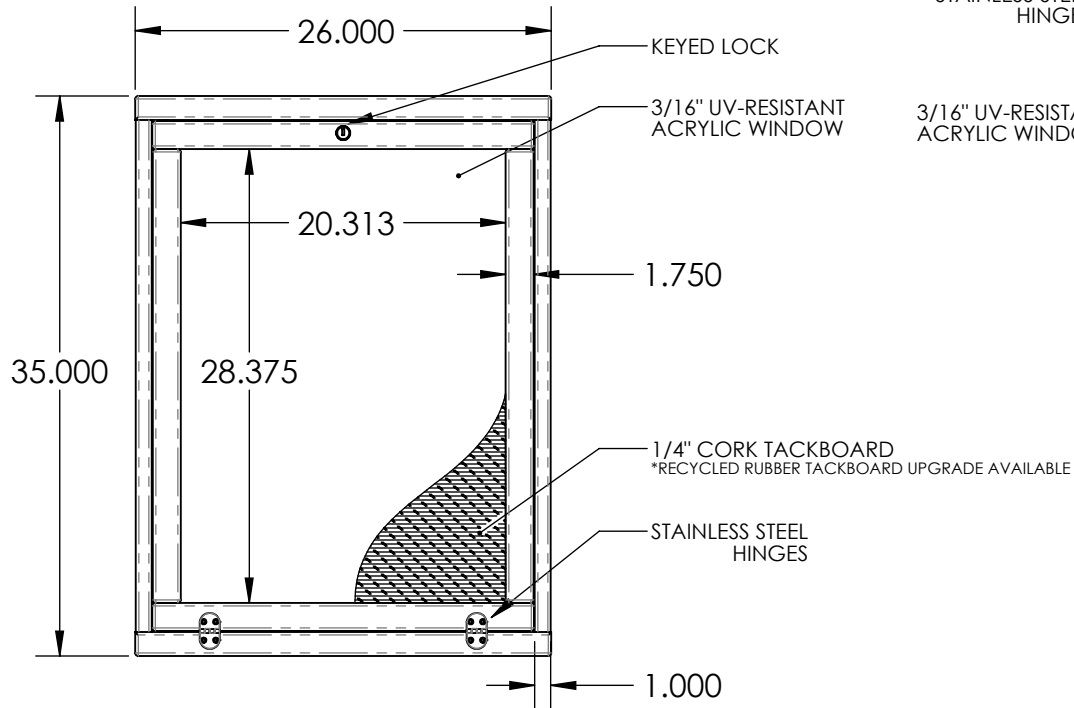
**FRONT**



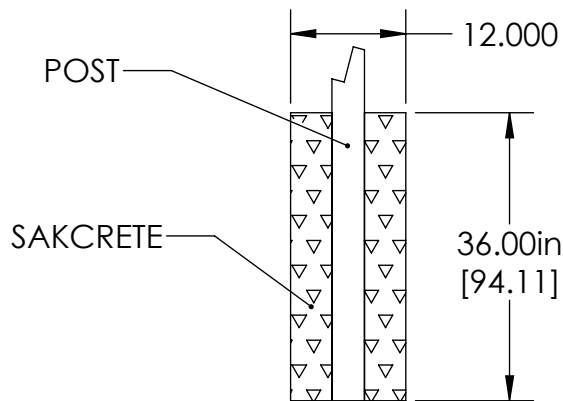
**SIDE**

# THREE-IN-LINE KIOSK INGROUND MOUNT

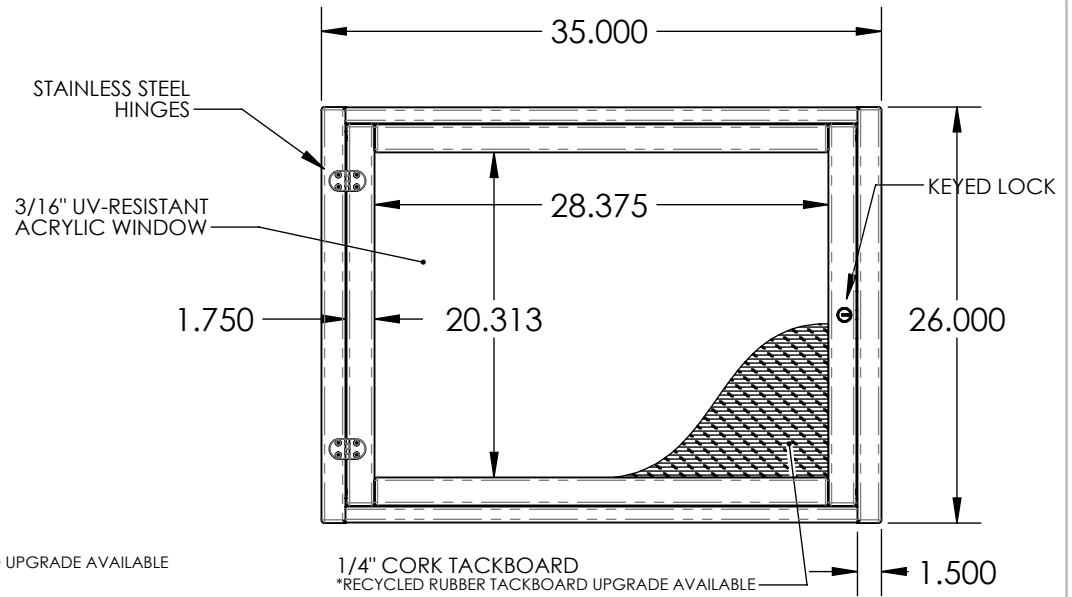
KMC2610  
Rev #1 1-27-2021



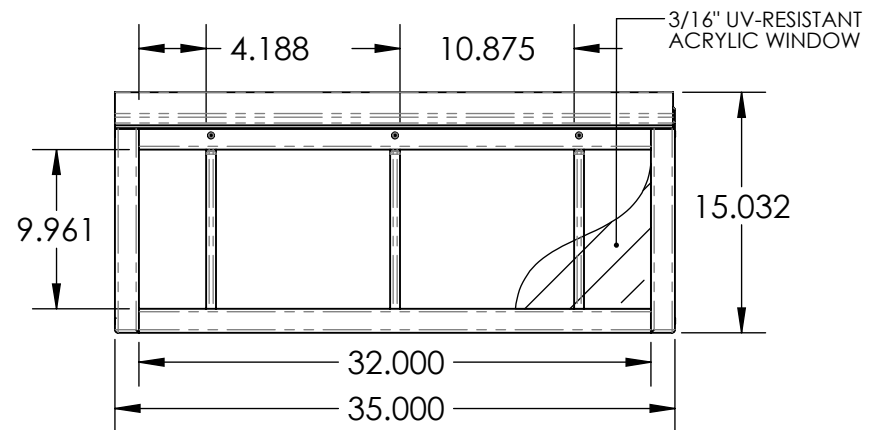
**1** MESSAGE CENTER DETAILS



**2** MOUNTING DETAILS



**3** MESSAGE CENTER DETAILS



**4** LITERATURE RACK DETAILS

HARDWARE: STAINLESS STEEL  
MATERIAL: RECYCLED PLASTIC, ACRYLIC, 1/4" CORK