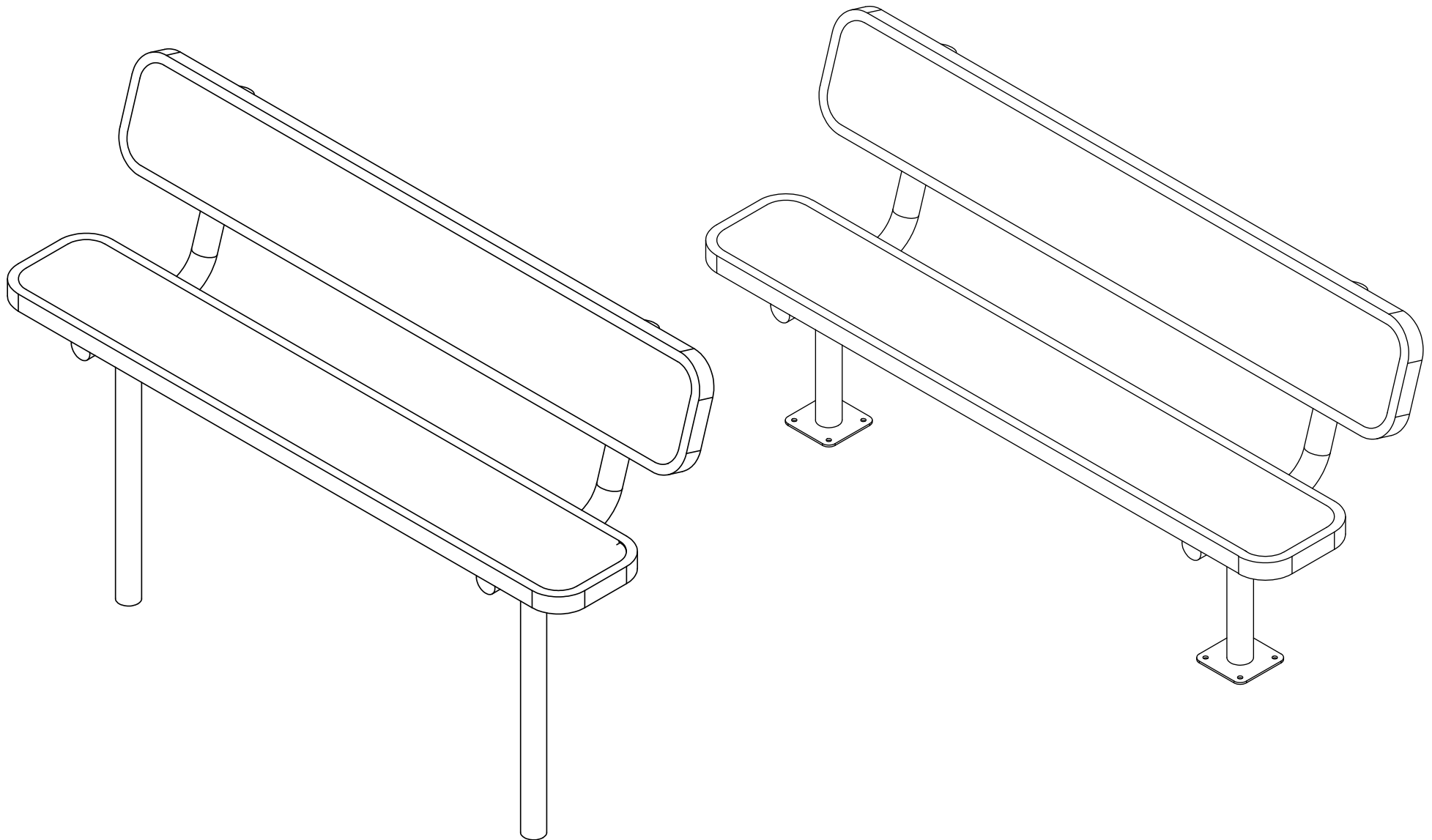


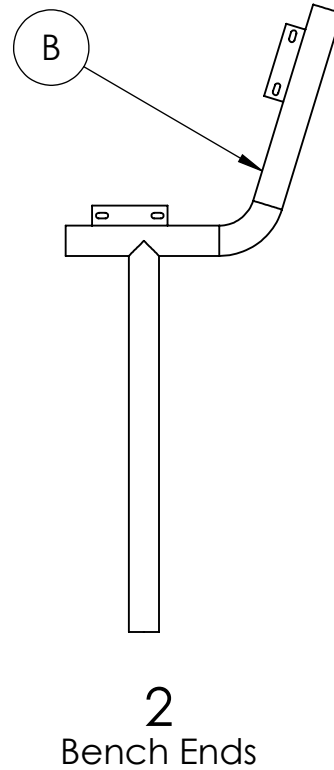
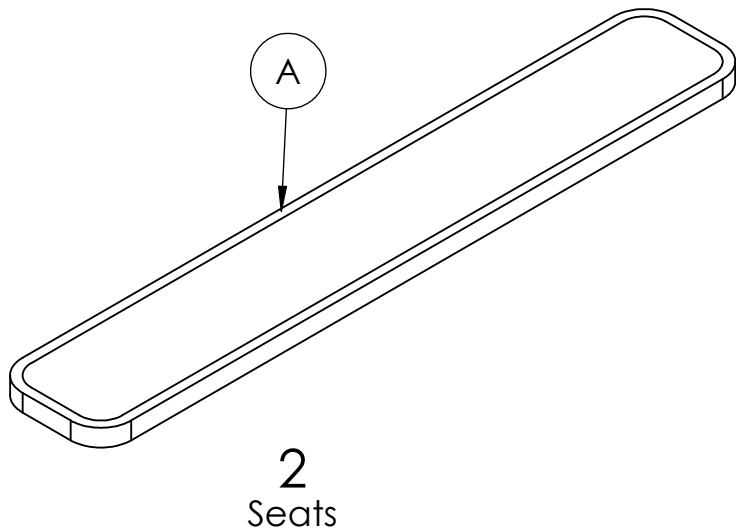
INSTRUCTIONS

6 FT & 8 FT Benches, Inground & Surface Mount

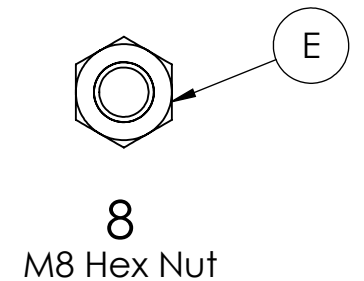
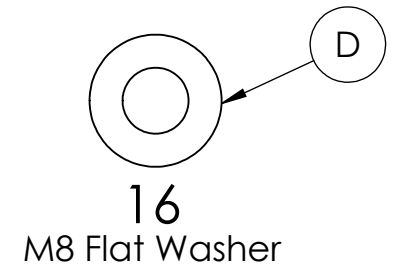
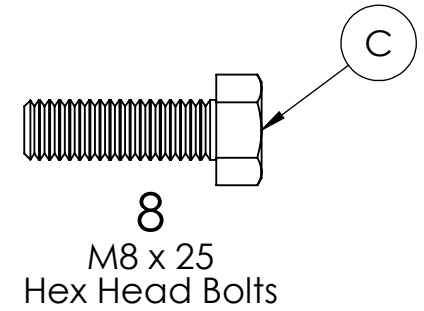


INSTRUCTIONS

Inground Mount



HARDWARE



**REQUIRED TOOLS
(NOT INCLUDED)**
1 - 13MM WRENCH
1 - 13MM SOCKET

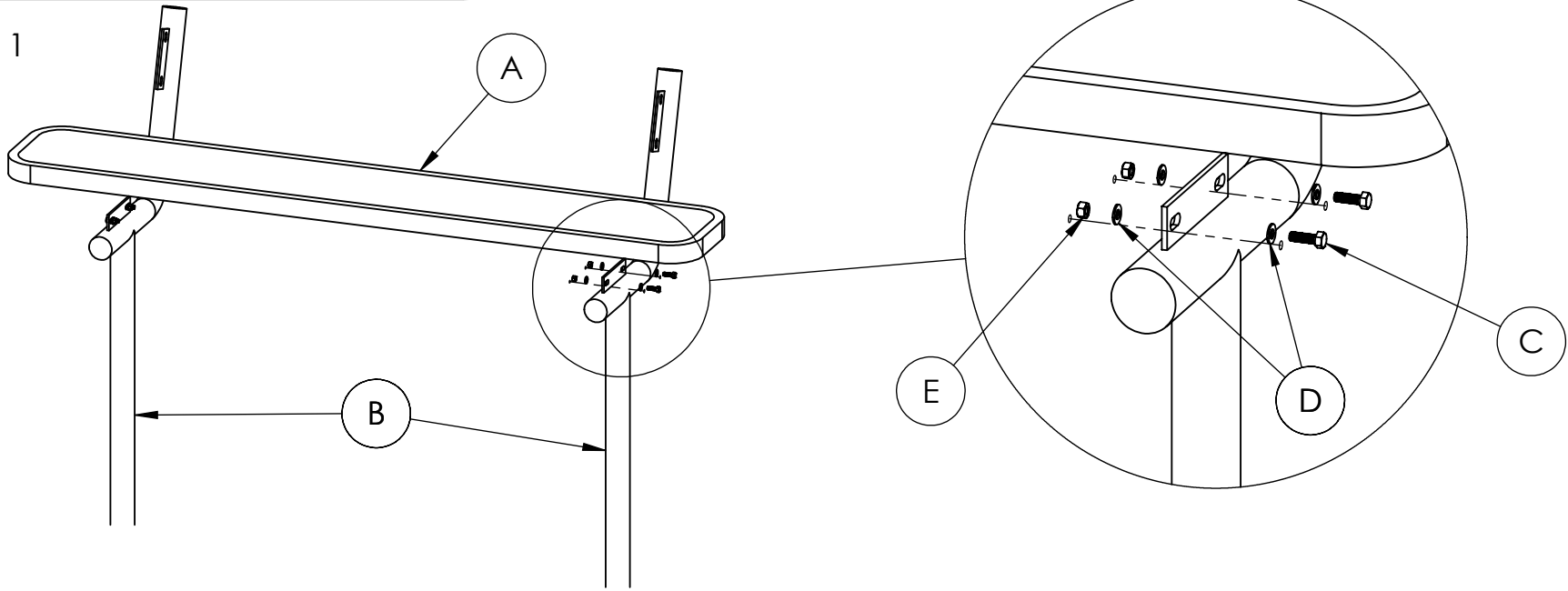
NOTE: IT IS IMPORTANT TO KEEP ALL BOLTS FINGER TIGHT DURING ASSEMBLY UNTIL ENTIRE UNIT IS ASSEMBLED

**HARDWARE &
TOOLS REQUIRED
FOR ASSEMBLY**

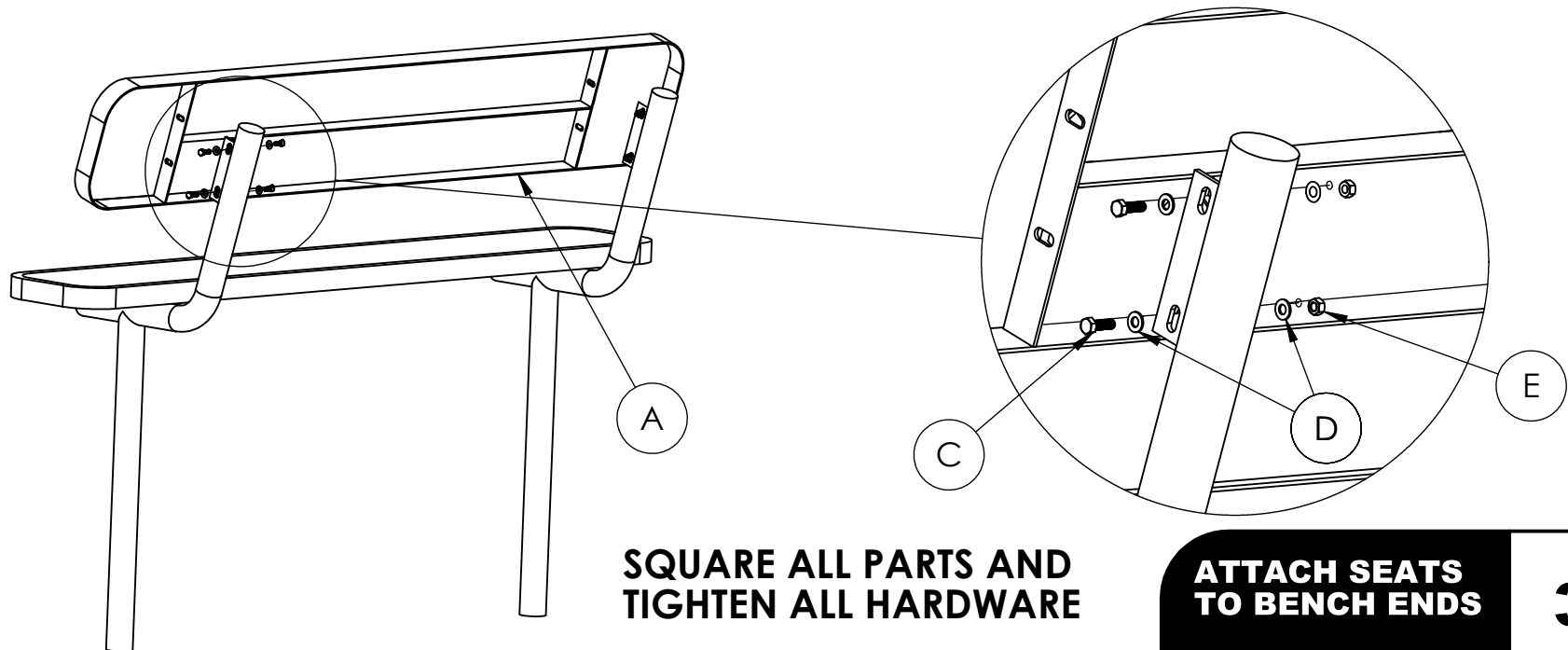
2/3

INSTRUCTIONS

STEP 1



STEP 2



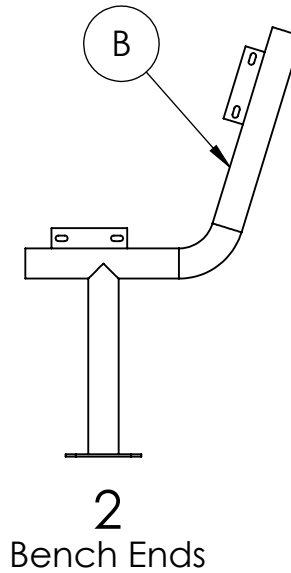
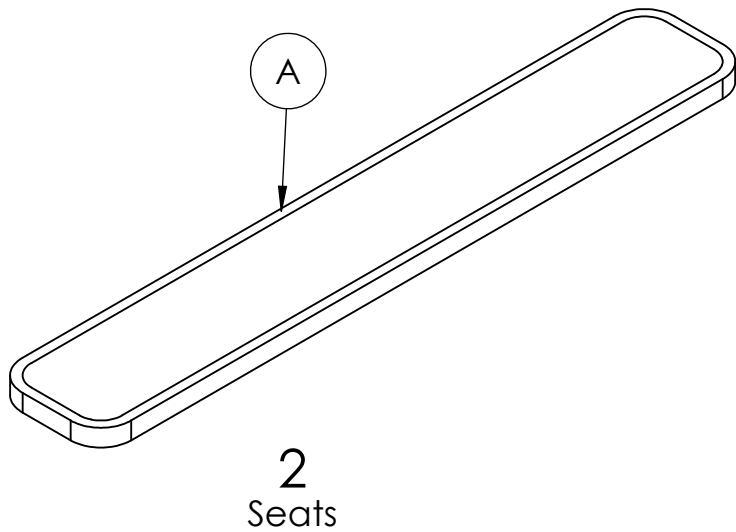
**SQUARE ALL PARTS AND
TIGHTEN ALL HARDWARE**

**ATTACH SEATS
TO BENCH ENDS**

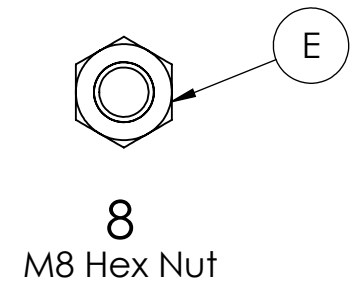
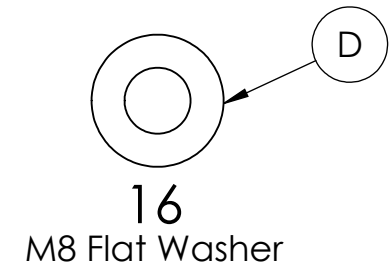
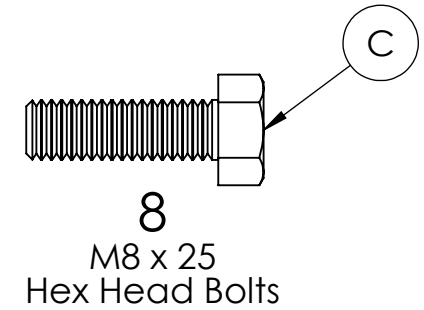
3/3

INSTRUCTIONS

Surface Mount



HARDWARE



REQUIRED TOOLS (NOT INCLUDED)

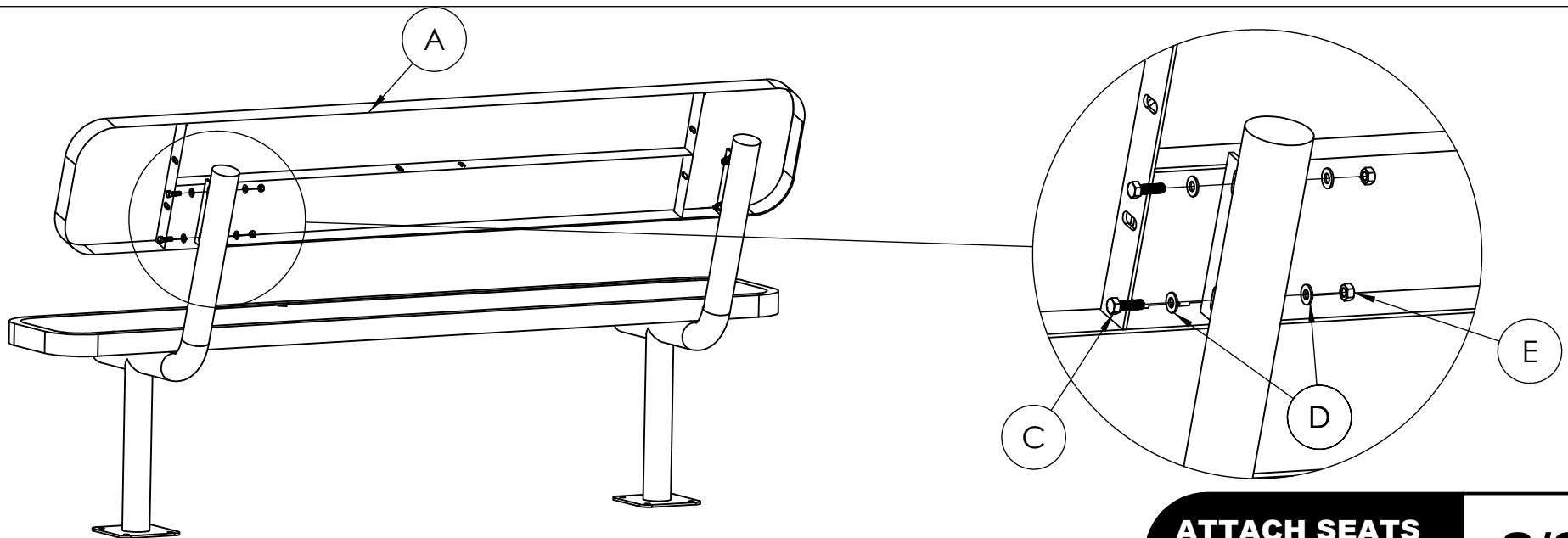
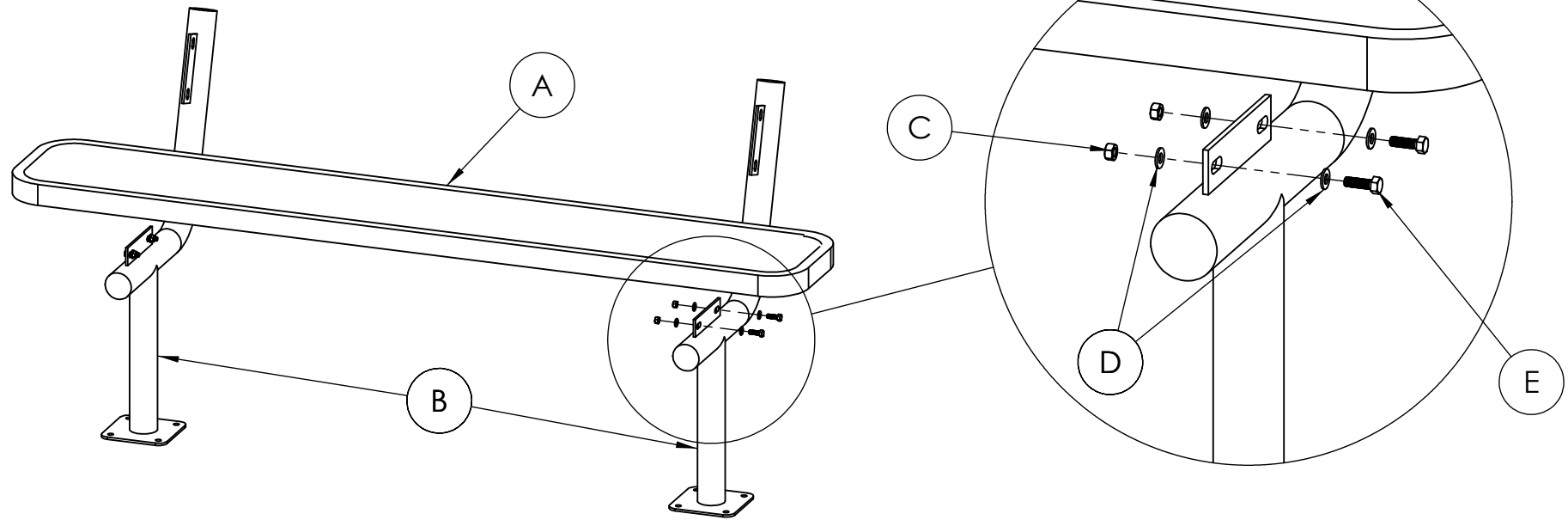
- 1 - 13MM WRENCH
- 1 - 13MM SOCKET

NOTE: IT IS IMPORTANT TO KEEP ALL BOLTS FINGER TIGHT DURING ASSEMBLY UNTIL ENTIRE UNIT IS ASSEMBLED

**HARDWARE &
TOOLS REQUIRED
FOR ASSEMBLY**

2/3

INSTRUCTIONS



**ATTACH SEATS
TO BENCH ENDS**

3/3