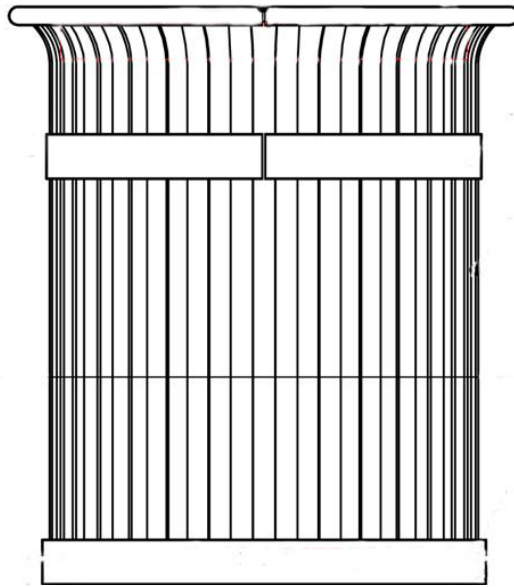

Specification Sheet

Steel Slat Waste Receptacle



Material

Carbon steel weldment

Finish

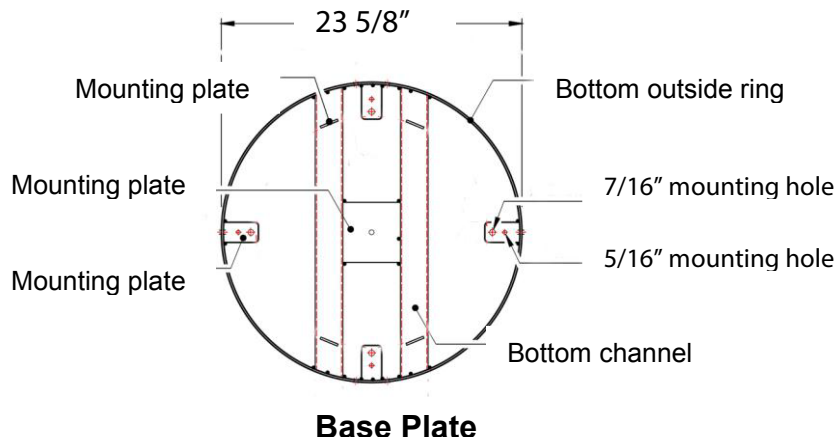
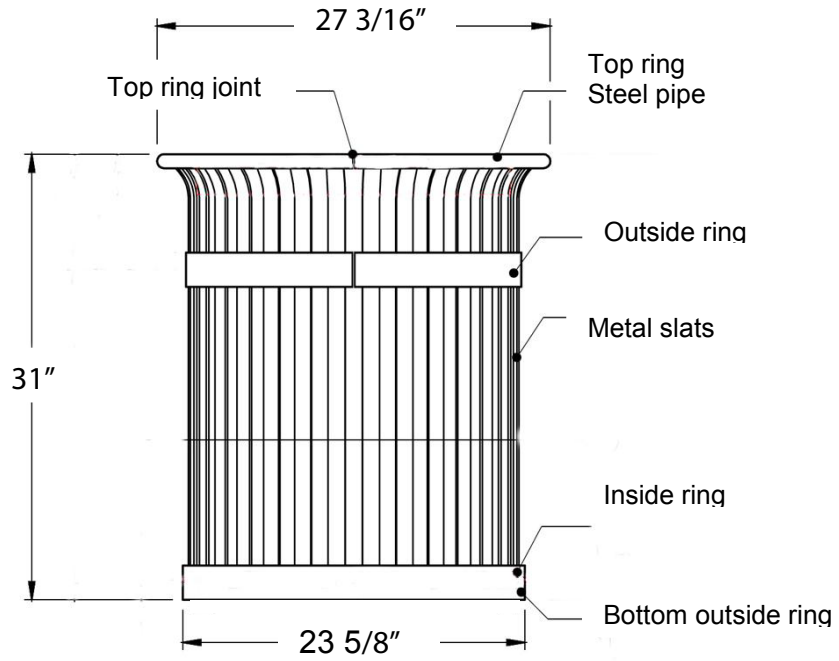
Zinc protected Black onyx powder coat

Hardware

All stainless steel

Liner

Rigid molded black plastic



Top Cover

Cable Clip



Security Cable