

TABLE INSTRUCTIONS

CF1050 REV# 1

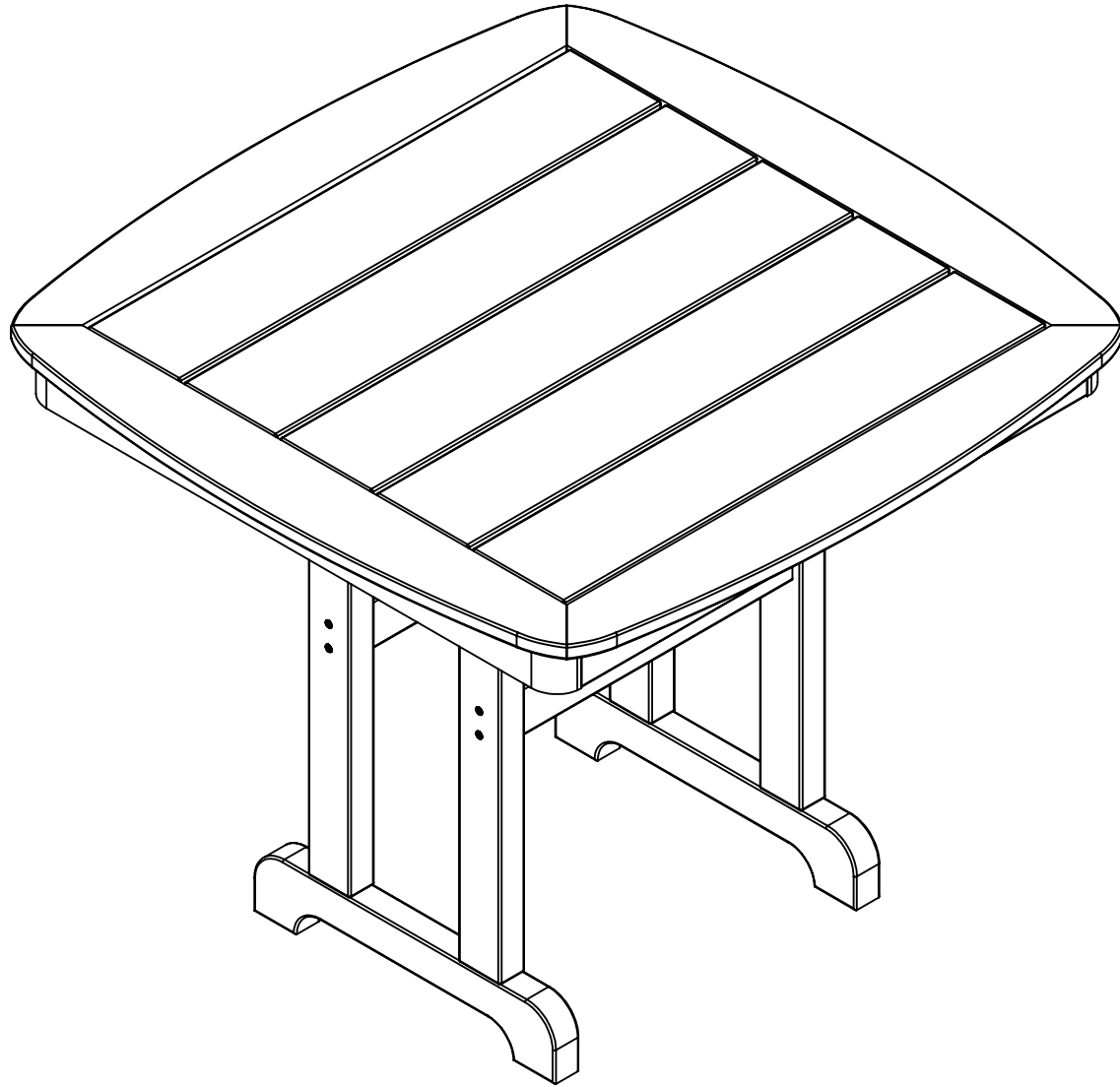
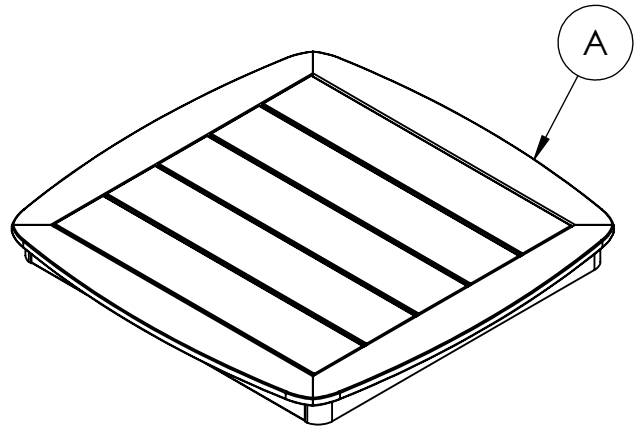
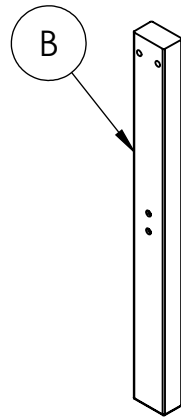


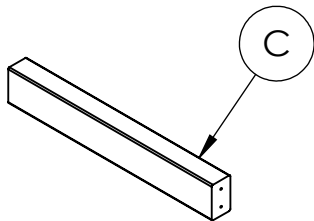
TABLE INSTRUCTIONS



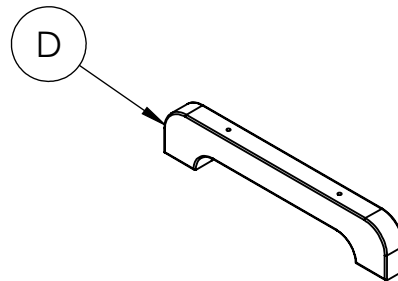
1
Table Top Assembly



4
Table Legs



2
Cross Braces

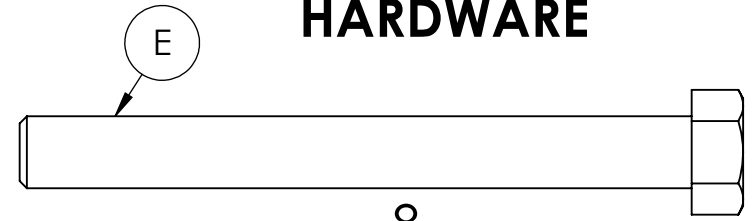


2
Table Feet

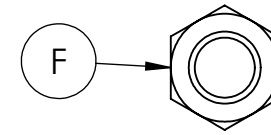
REQUIRED TOOLS (NOT INCLUDED)

- POWER DRILL
- #2 SQUARE DRIVE
- (2) 9/16 WRENCH OR SOCKET

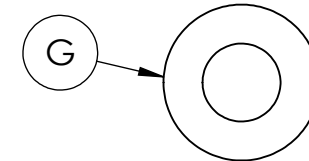
HARDWARE



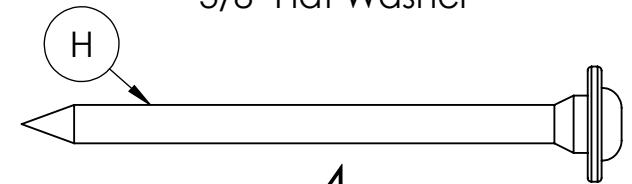
8
3/8" x 3.5" Hex Head Bolts



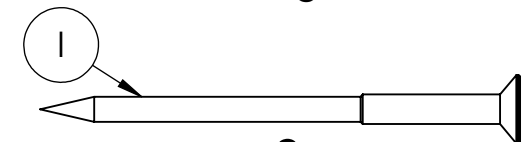
8
3/8" Hex Nuts



16
3/8" Flat Washer



4
Truss Lag Screw



8
#10 x 2.5 Flat Head Screw

**HARDWARE &
TOOLS REQUIRED
FOR ASSEMBLY**

2/5

TABLE INSTRUCTIONS

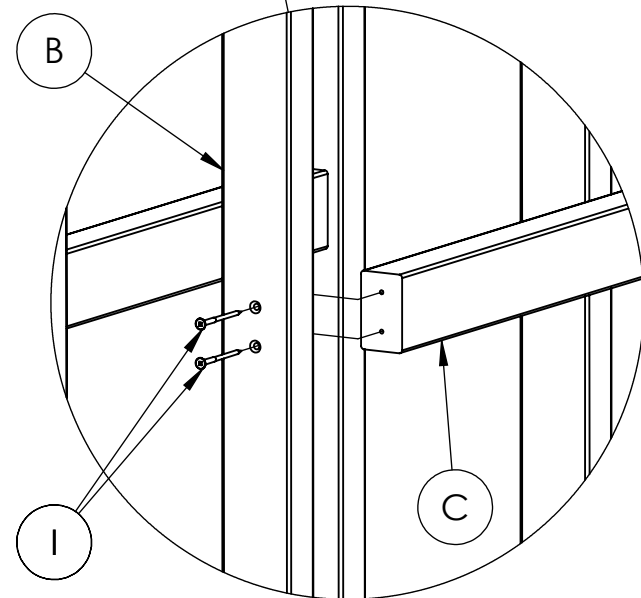
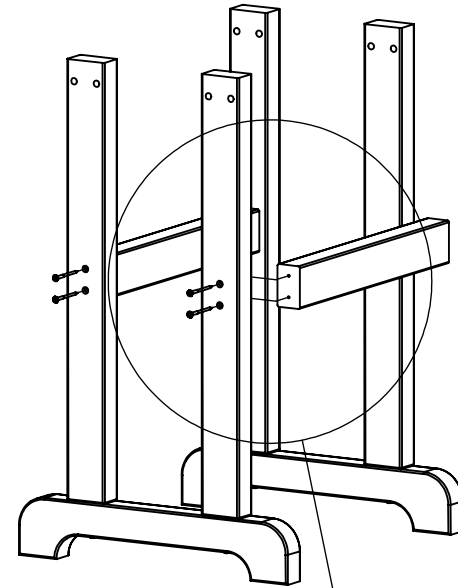
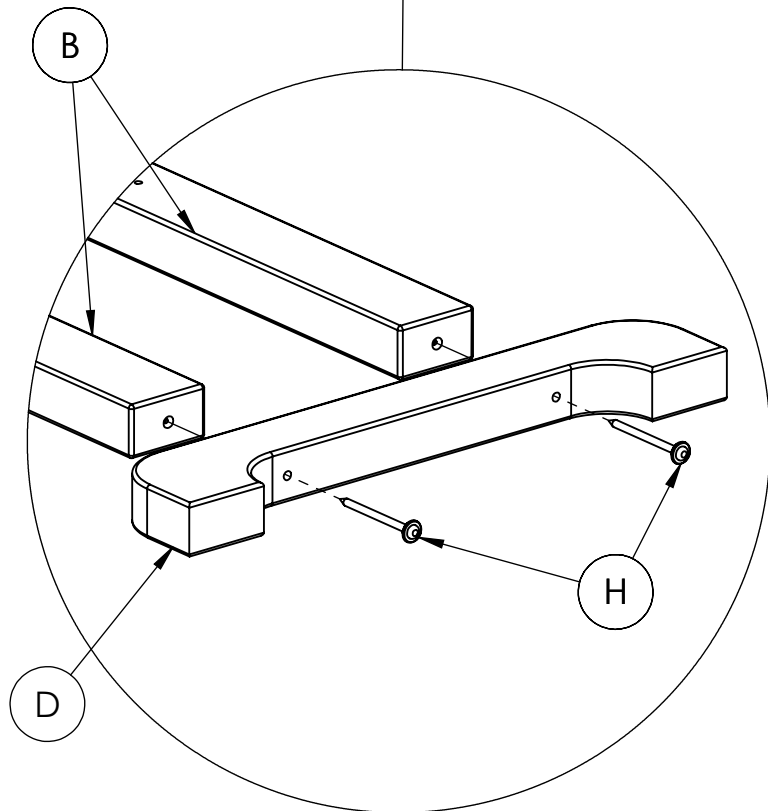
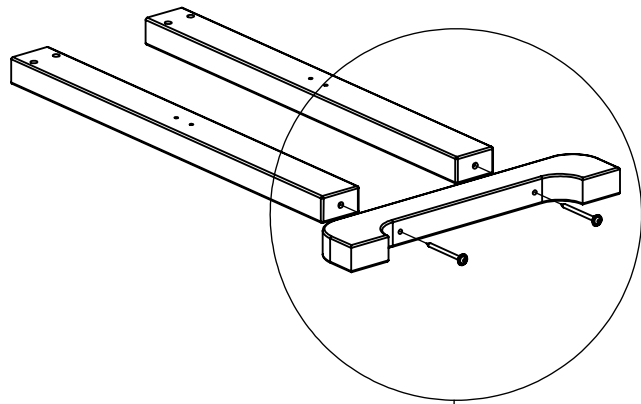


TABLE INSTRUCTIONS

STEP 3

- Attach leg assembly with table upside down - **leave bolts loose.**
- Flip table right side up then fully tighten all bolts.

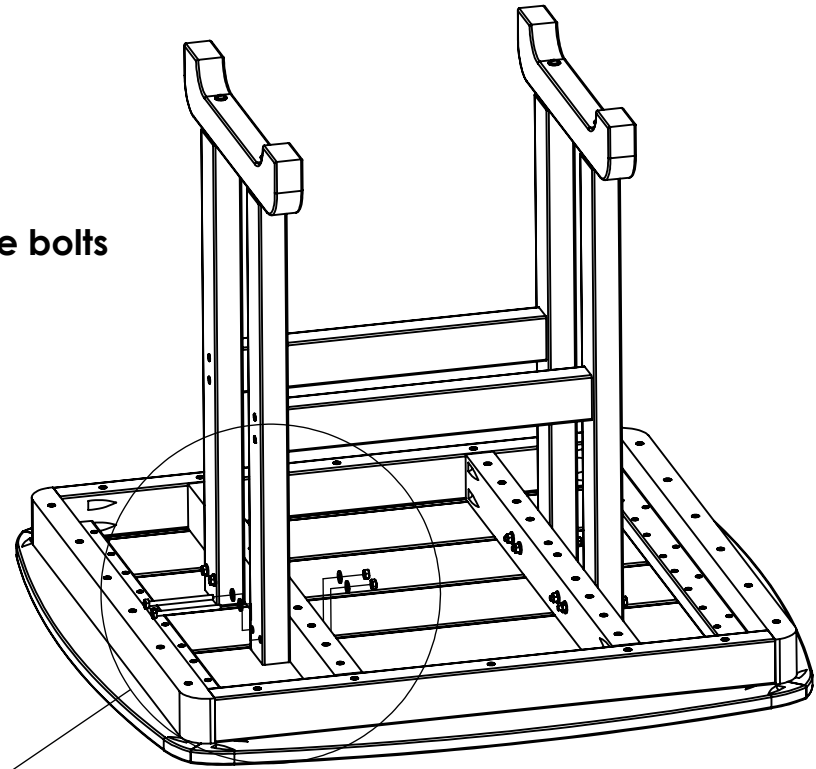
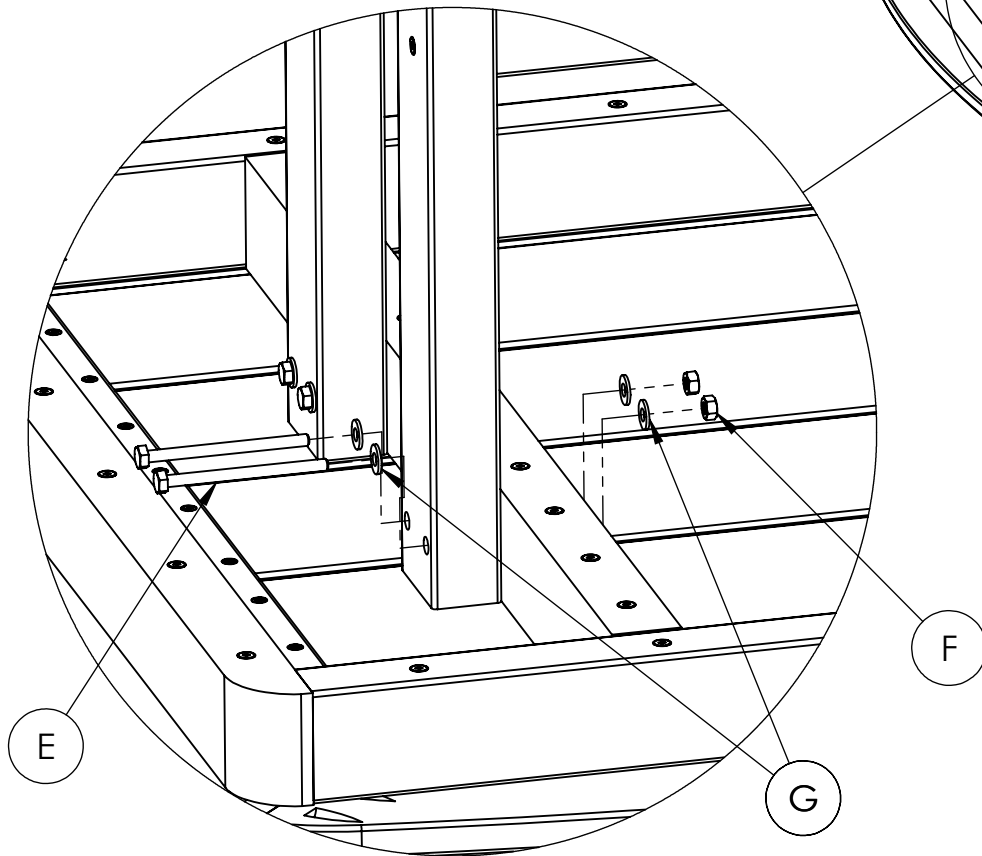
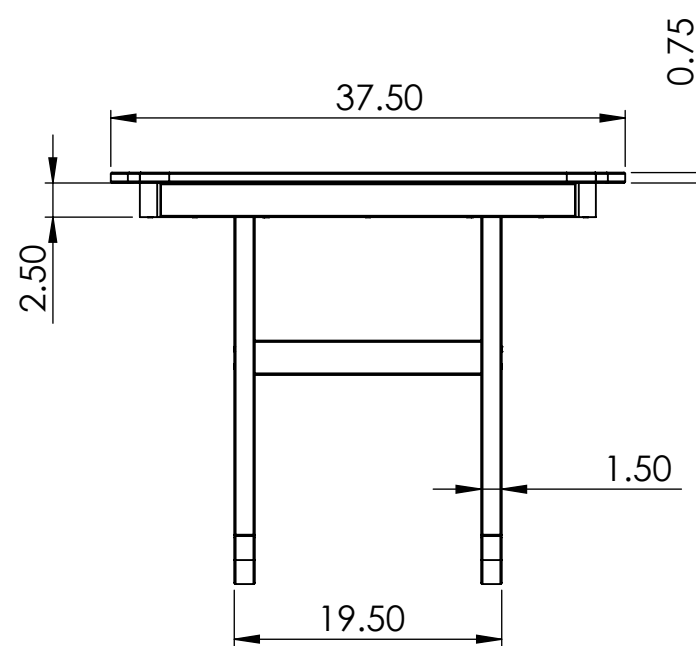
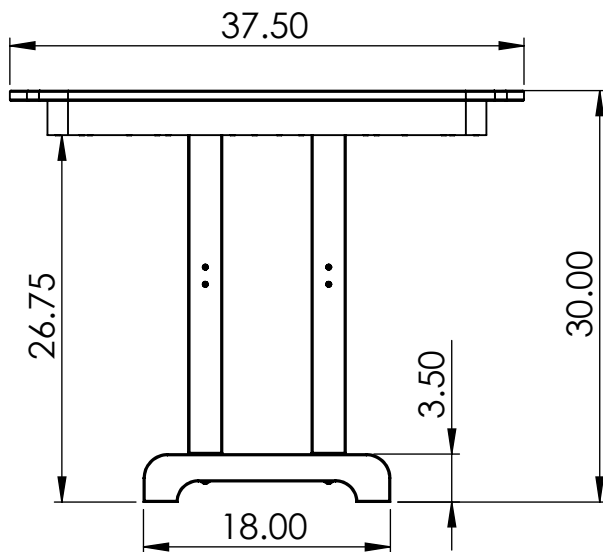
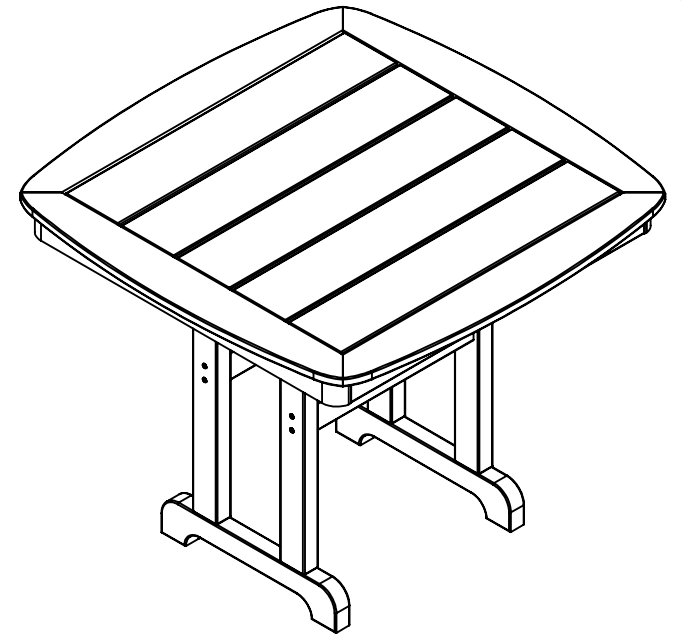
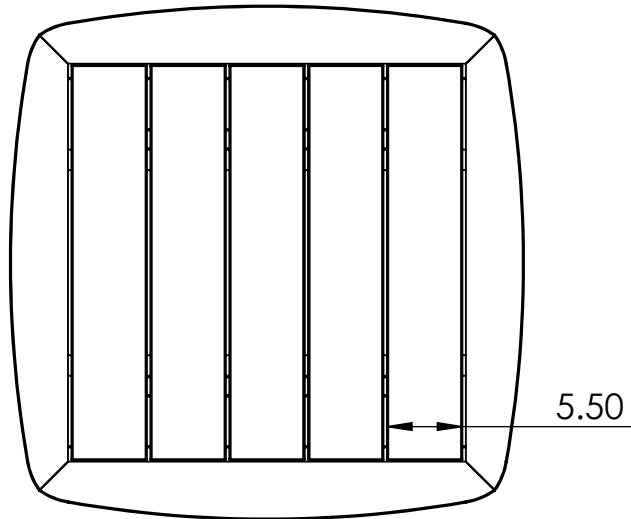


TABLE SPECIFICATIONS

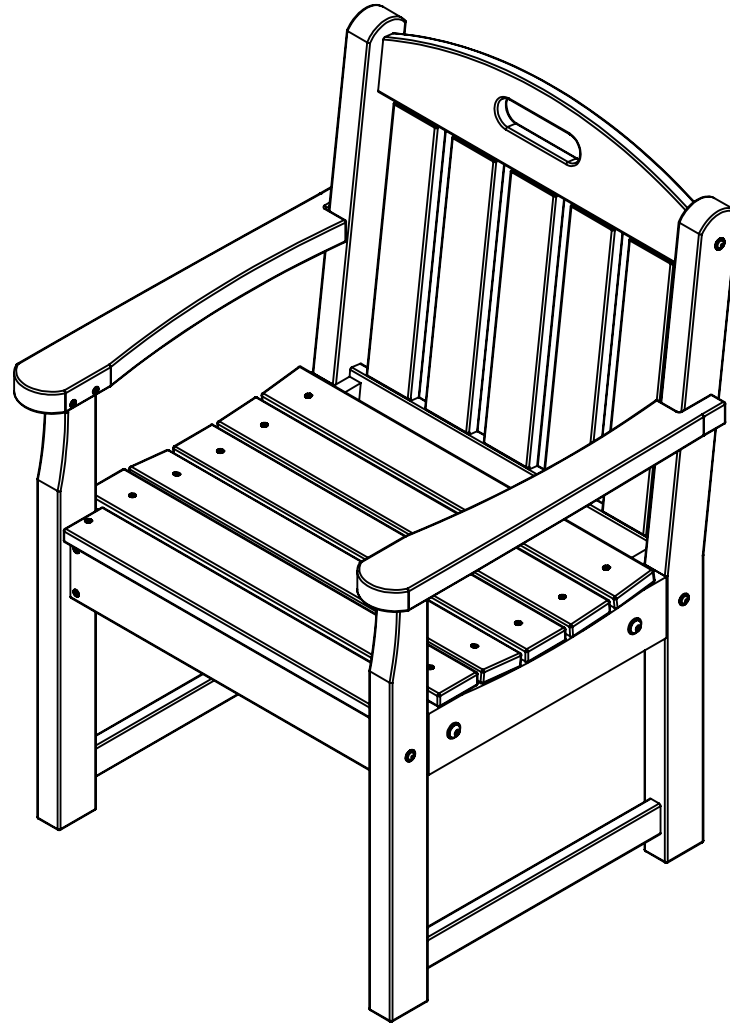


CONSTRUCTION MATERIALS:
Recycled Plastic
HARDWARE:
Stainless Steel

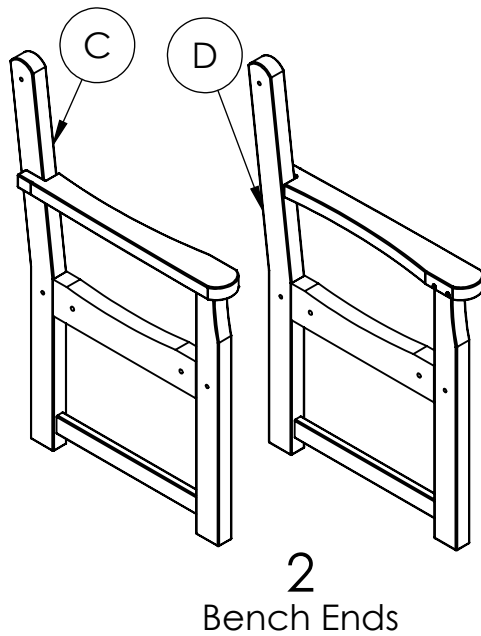
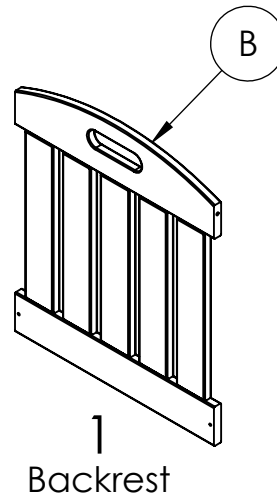
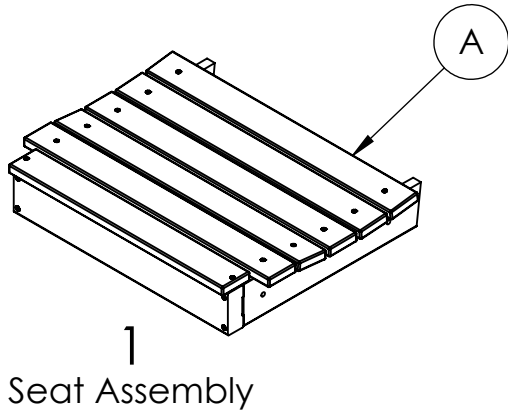
ALL DIMENSIONS SHOWN IN INCHES

CHAIR INSTRUCTIONS

CF1010 REV# 1

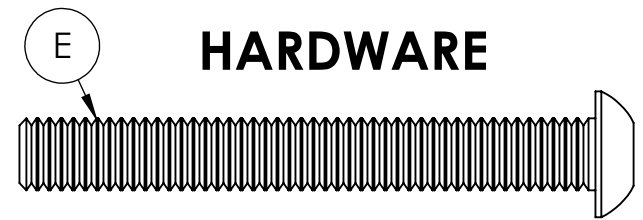


CHAIR INSTRUCTIONS



REQUIRED TOOLS (NOT INCLUDED)

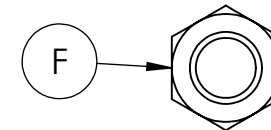
- POWER DRILL
- 7/32 ALLEN WRENCH
- 9/16 WRENCH
- T30 TORX BIT



HARDWARE

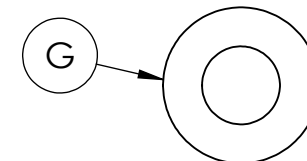
4

3/8" x 3" Button Head Cap Screws



4

3/8" Hex Nuts



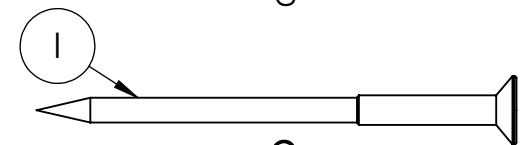
8

3/8" Flat Washer



6

Truss Lag Screw



2

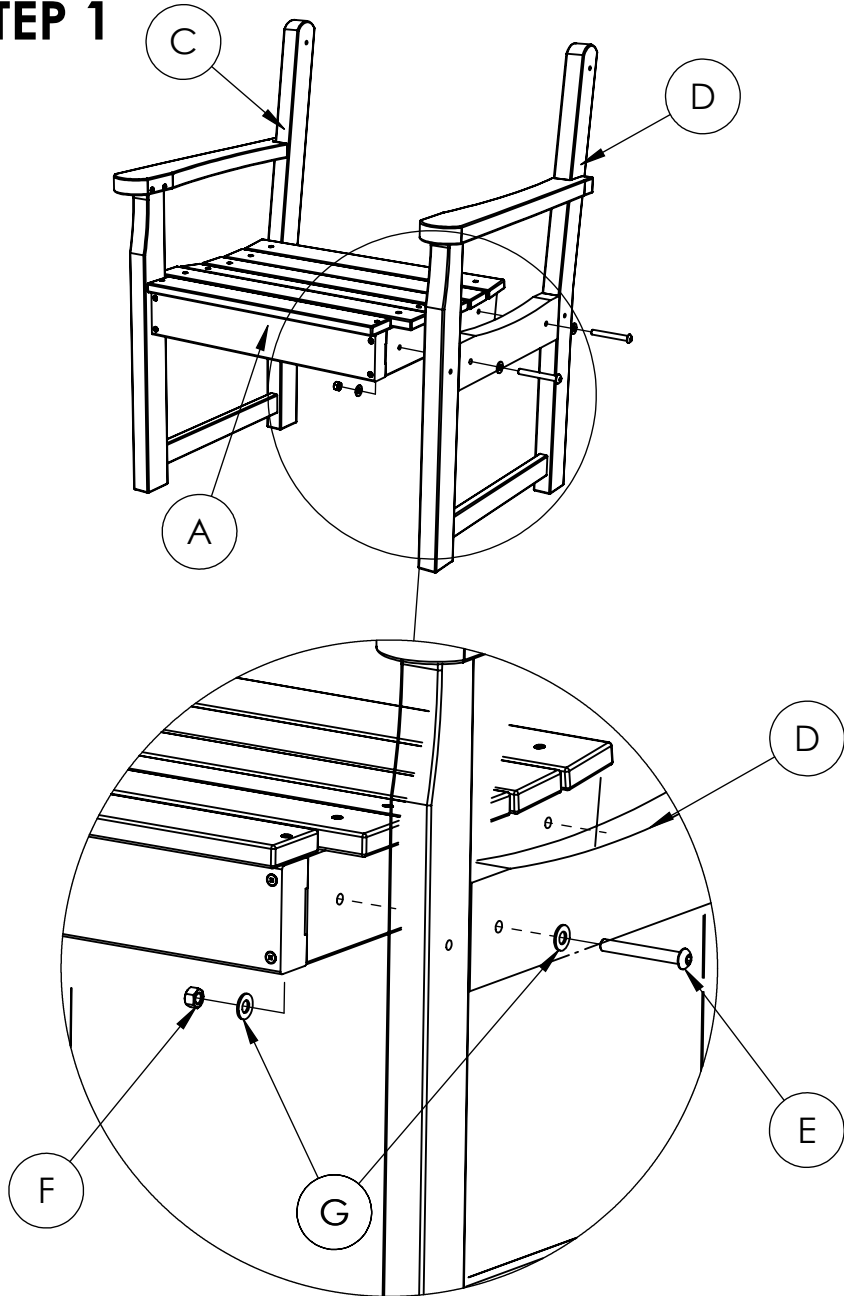
#10 x 2.5 Flat Head Screw

**HARDWARE &
TOOLS REQUIRED
FOR ASSEMBLY**

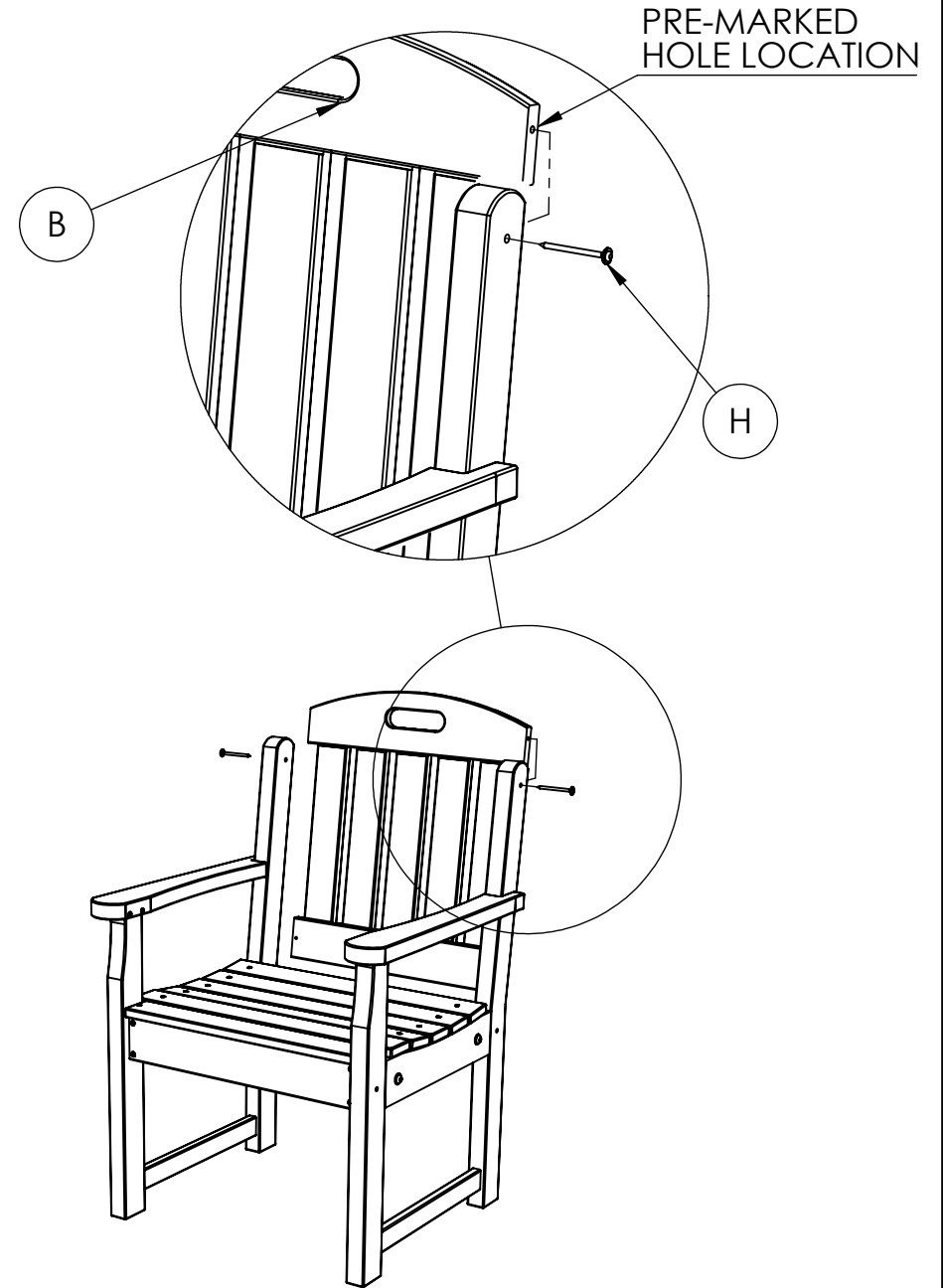
2/5

CHAIR INSTRUCTIONS

STEP 1



STEP 2

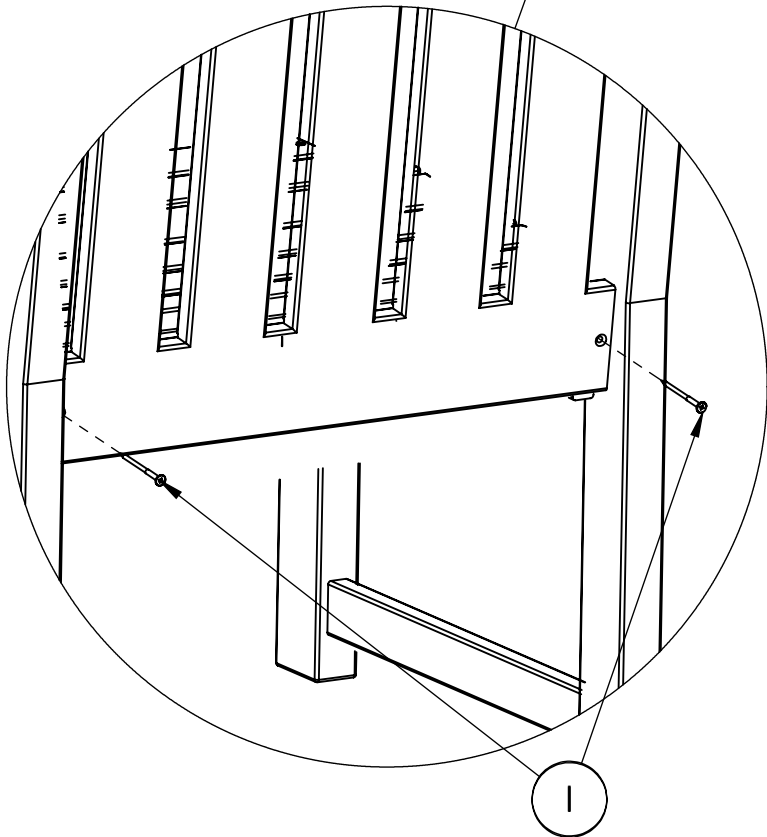
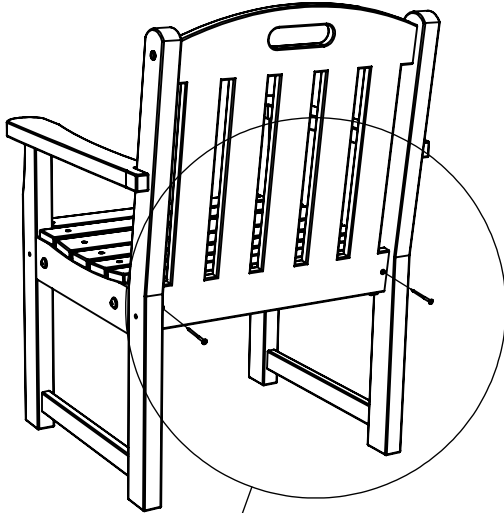


ASSEMBLY

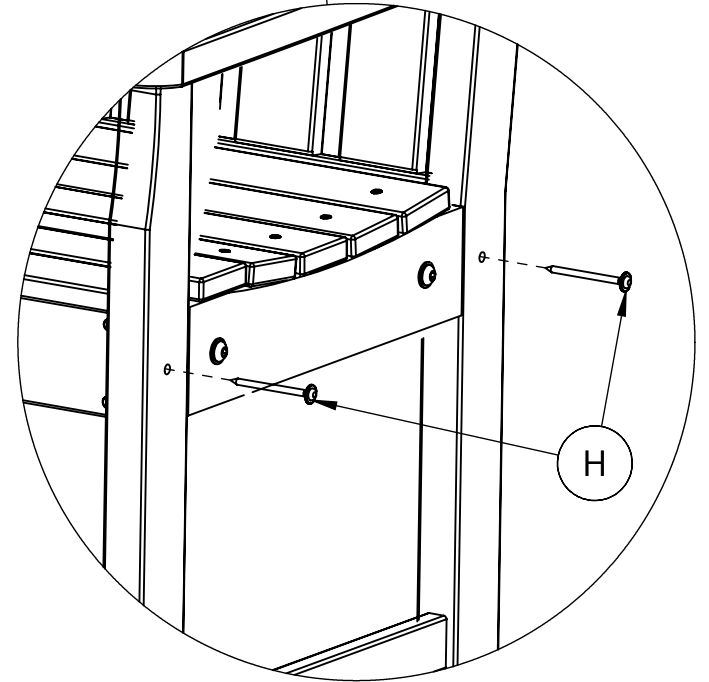
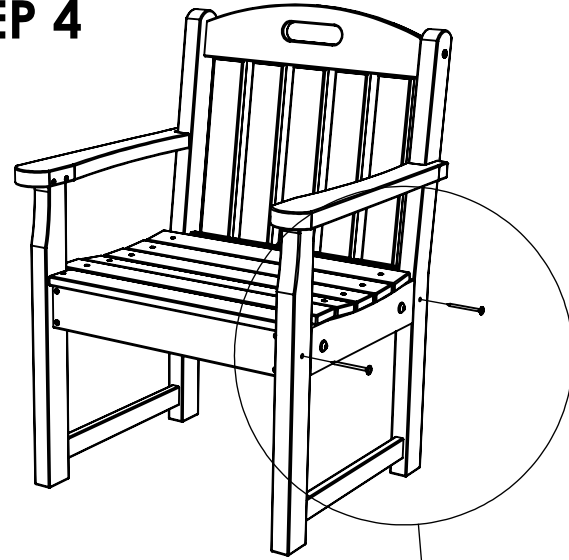
3/5

CHAIR INSTRUCTIONS

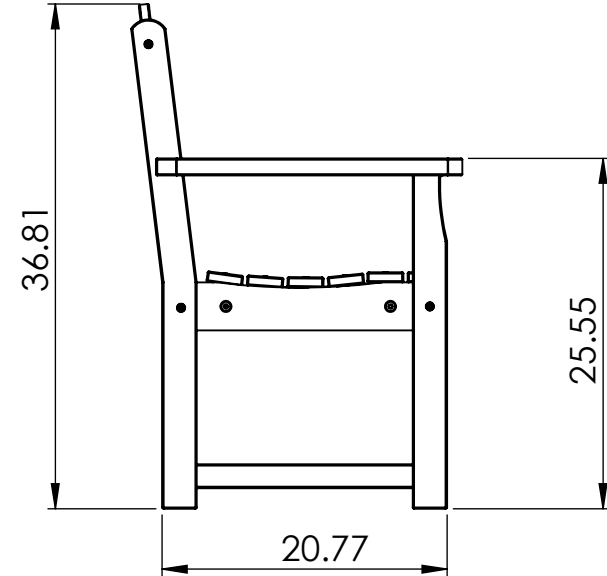
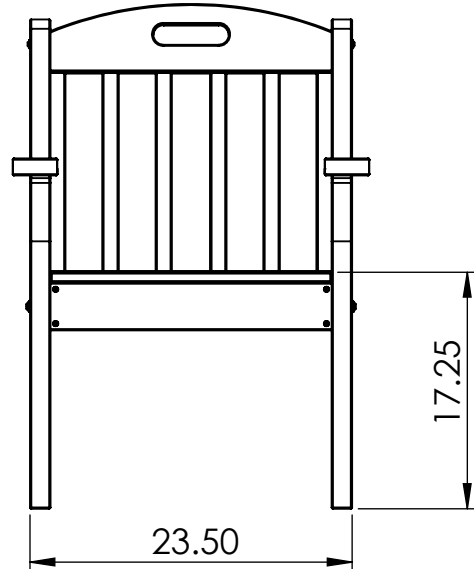
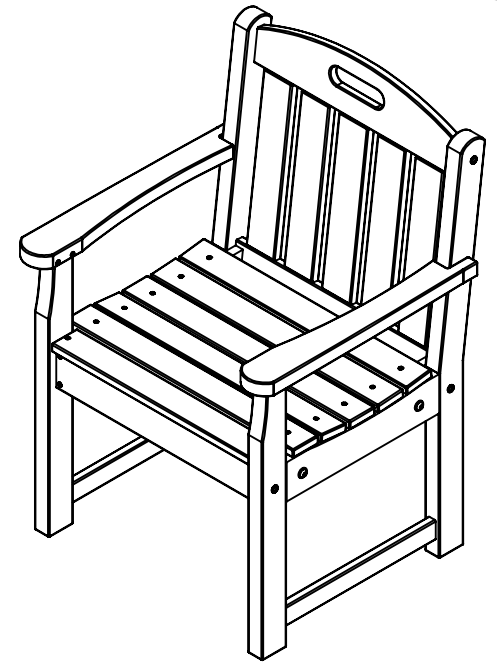
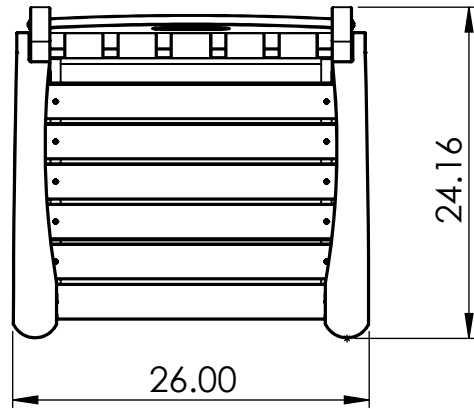
STEP 3



STEP 4



CHAIR SPECIFICATIONS

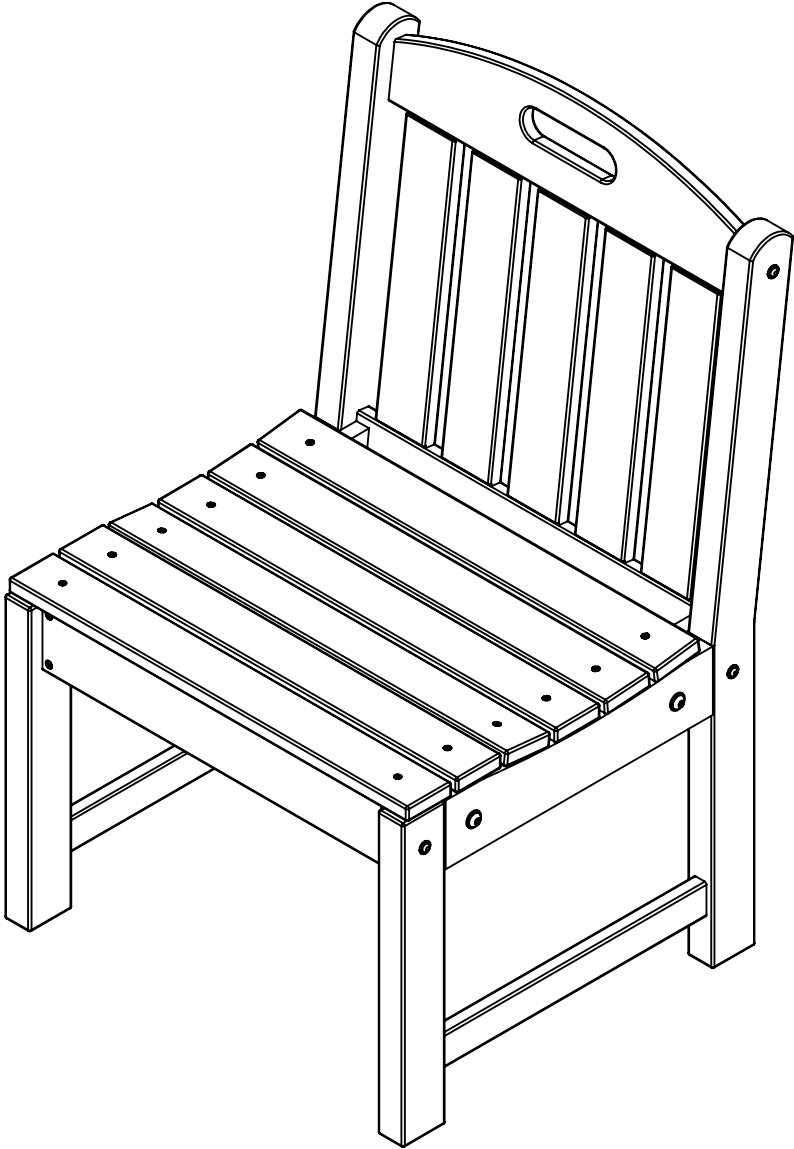


CONSTRUCTION MATERIALS:
Recycled Plastic
HARDWARE:
Stainless Steel

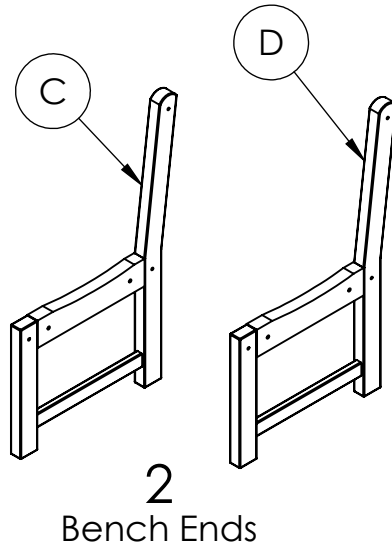
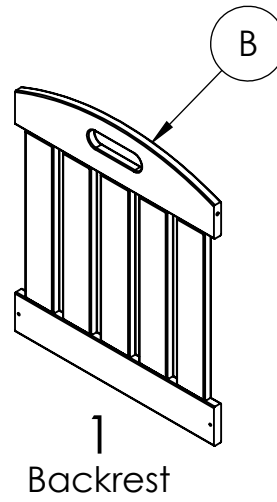
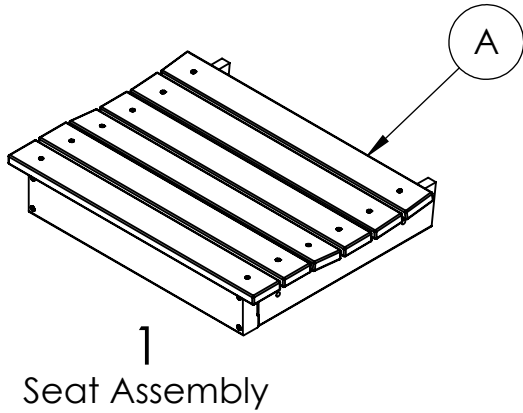
ALL DIMENSIONS SHOWN IN INCHES

CHAIR INSTRUCTIONS

CF1015 REV# 1

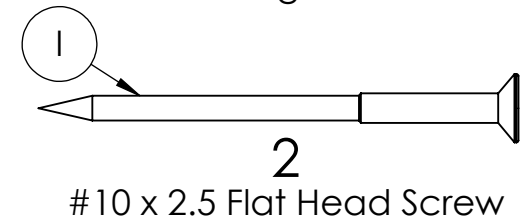
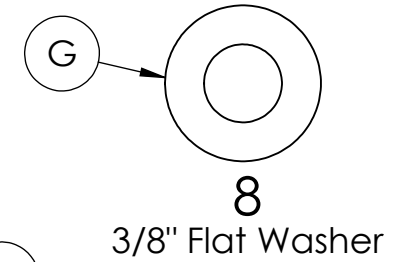
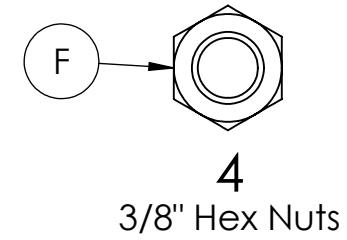
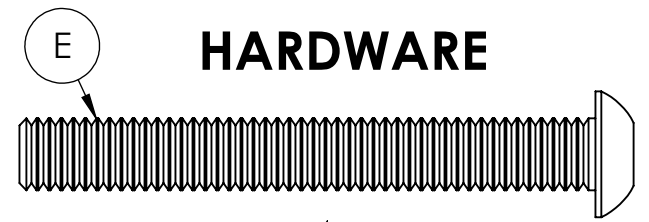


CHAIR INSTRUCTIONS



REQUIRED TOOLS (NOT INCLUDED)

- POWER DRILL
- 7/32 ALLEN WRENCH
- 9/16 WRENCH
- T30 TORX BIT

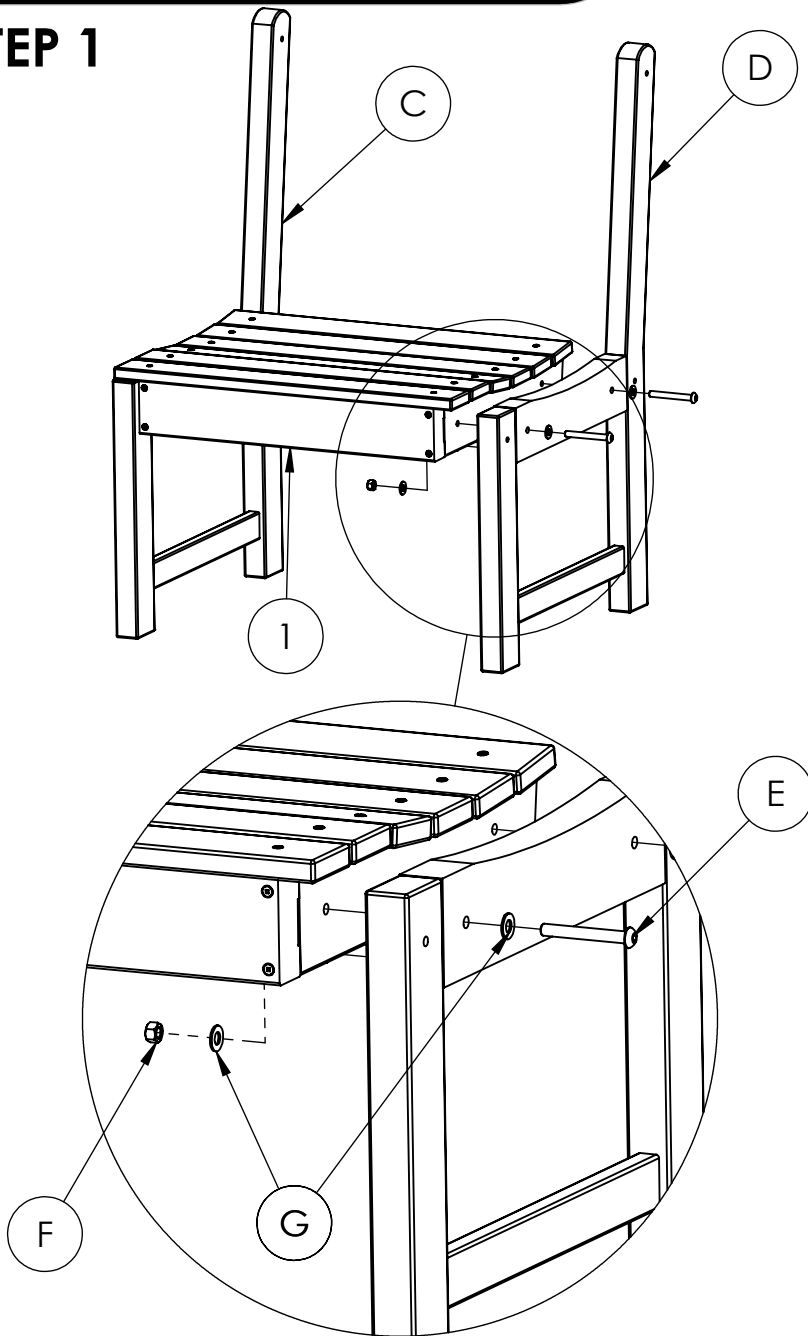


**HARDWARE &
TOOLS REQUIRED
FOR ASSEMBLY**

2/5

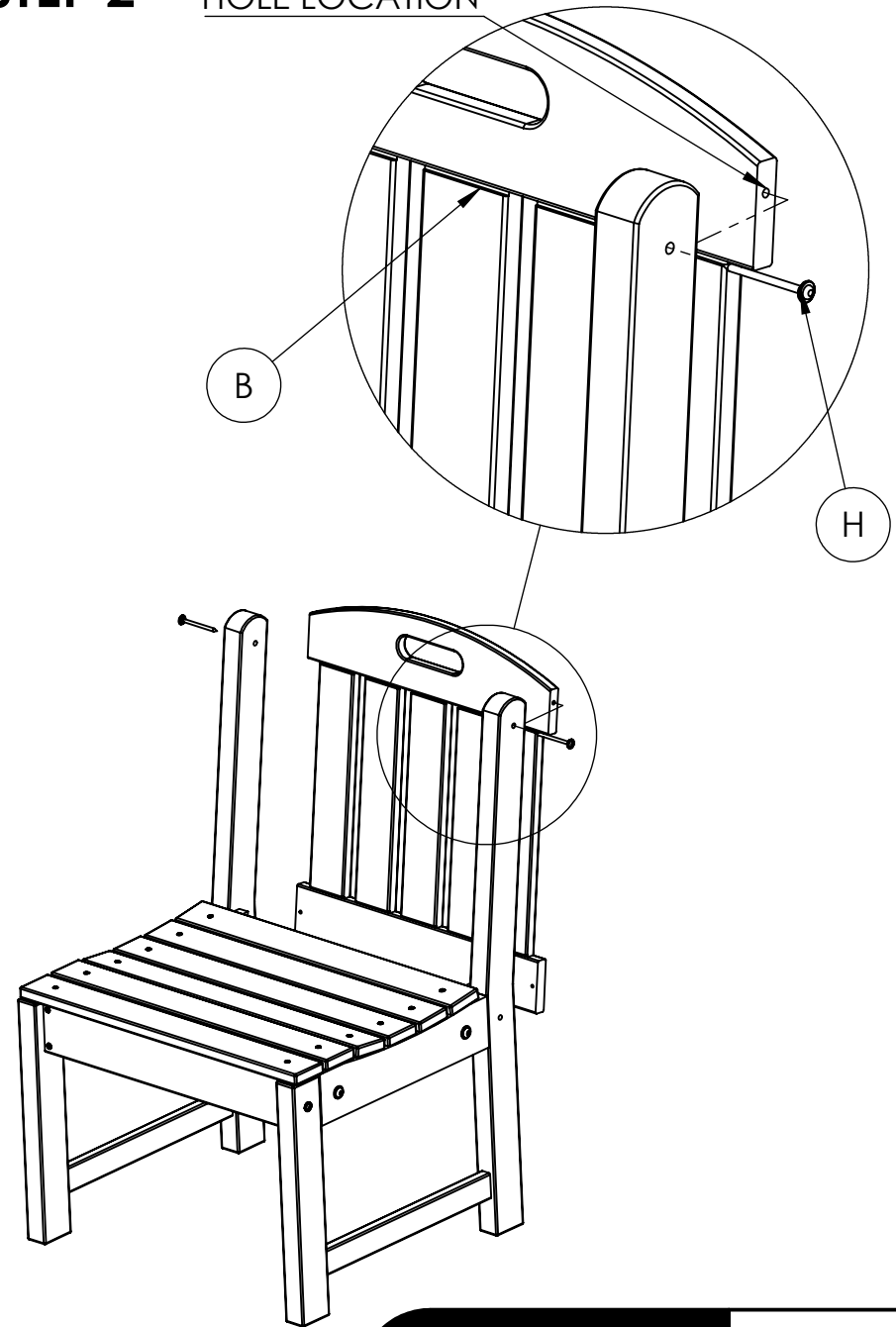
CHAIR INSTRUCTIONS

STEP 1



STEP 2

PRE-MARKED
HOLE LOCATION

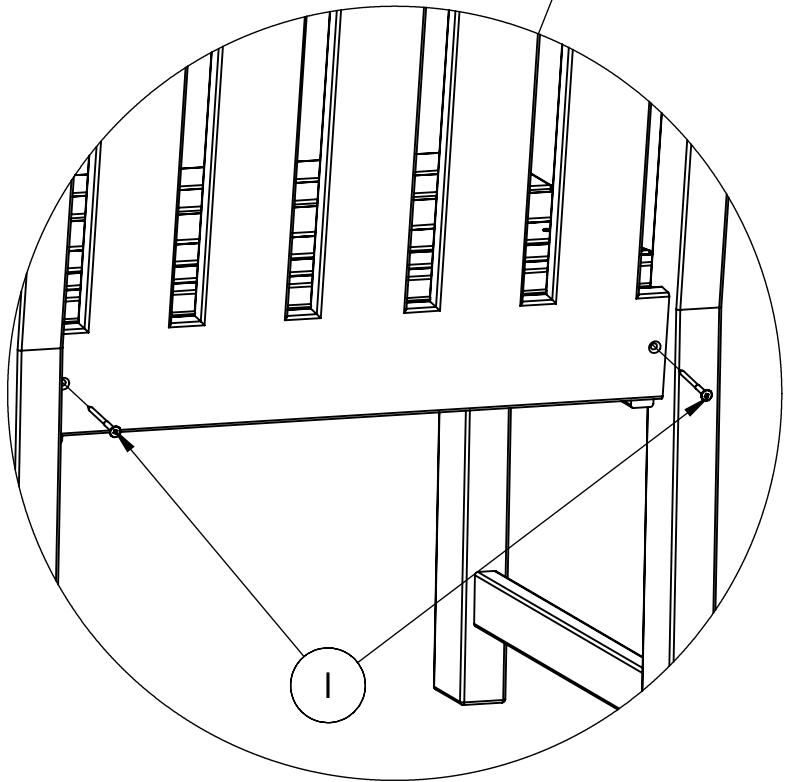
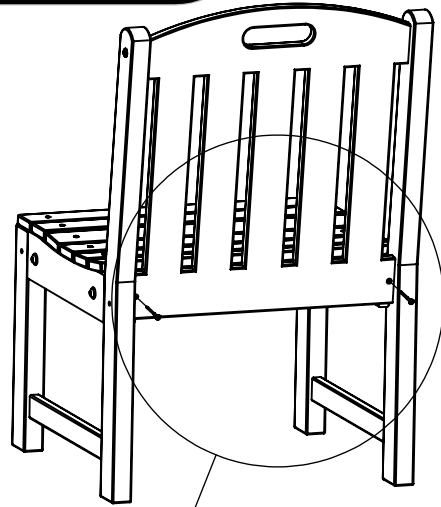


ASSEMBLY

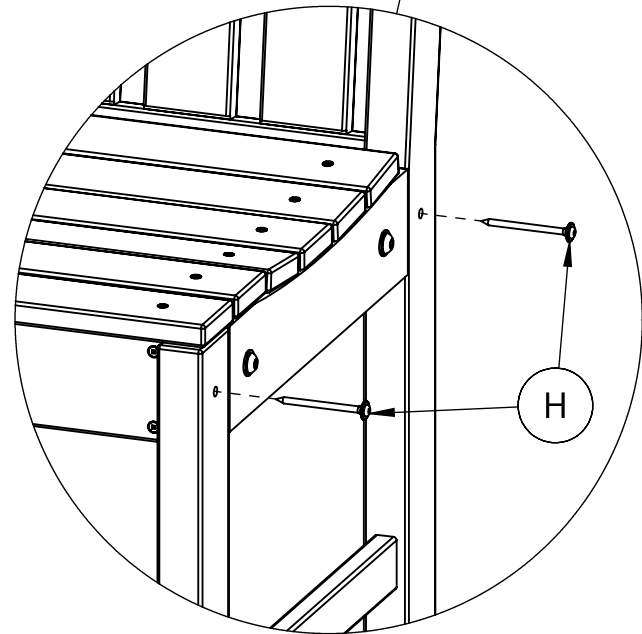
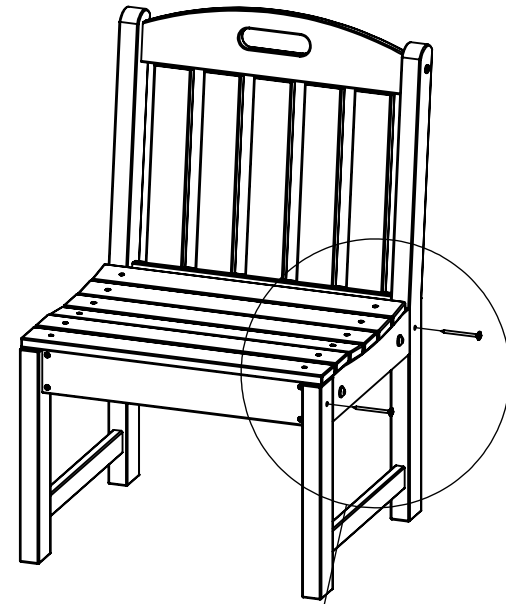
3/5

CHAIR INSTRUCTIONS

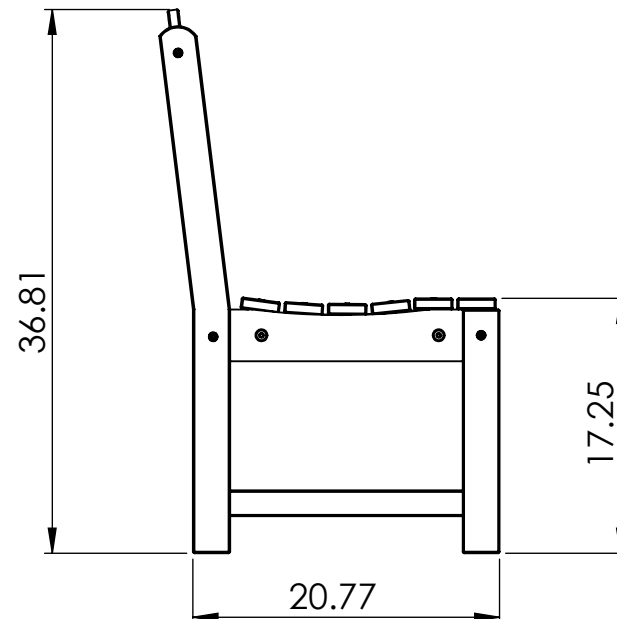
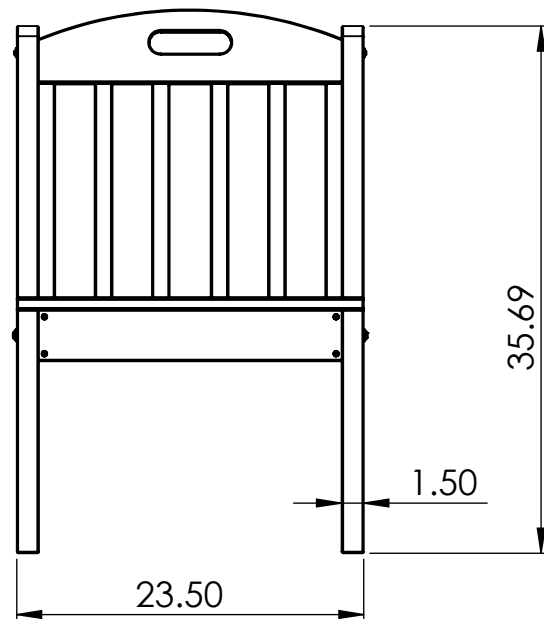
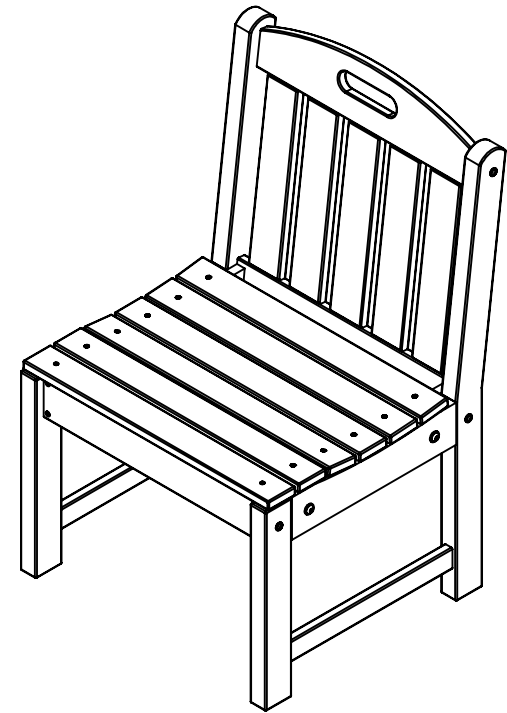
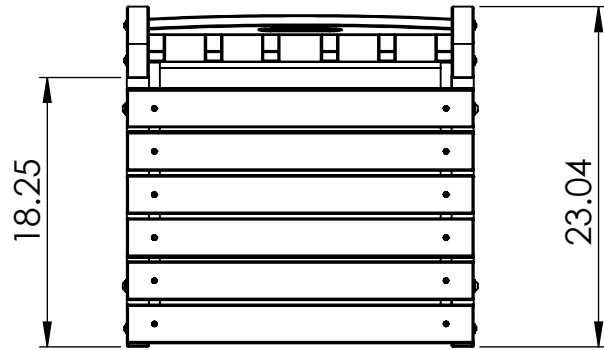
STEP 3



STEP 4



CHAIR SPECIFICATIONS



CONSTRUCTION MATERIALS:
Recycled Plastic
HARDWARE:
Stainless Steel

ALL DIMENSIONS SHOWN IN INCHES