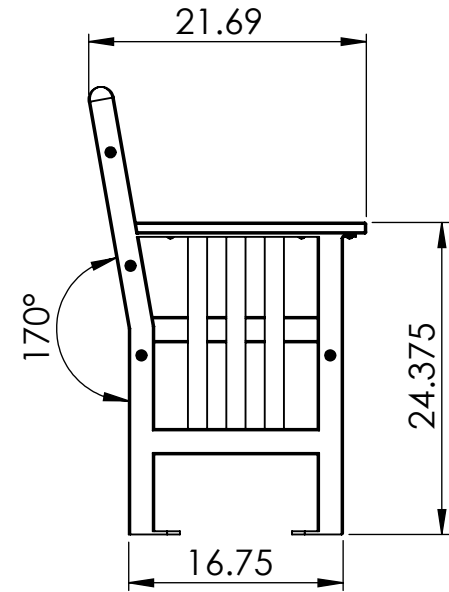
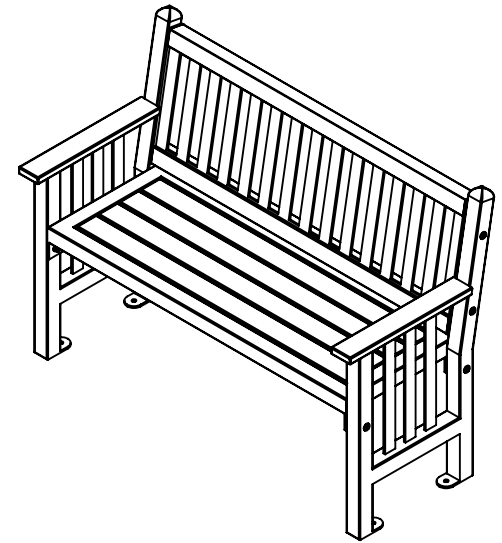
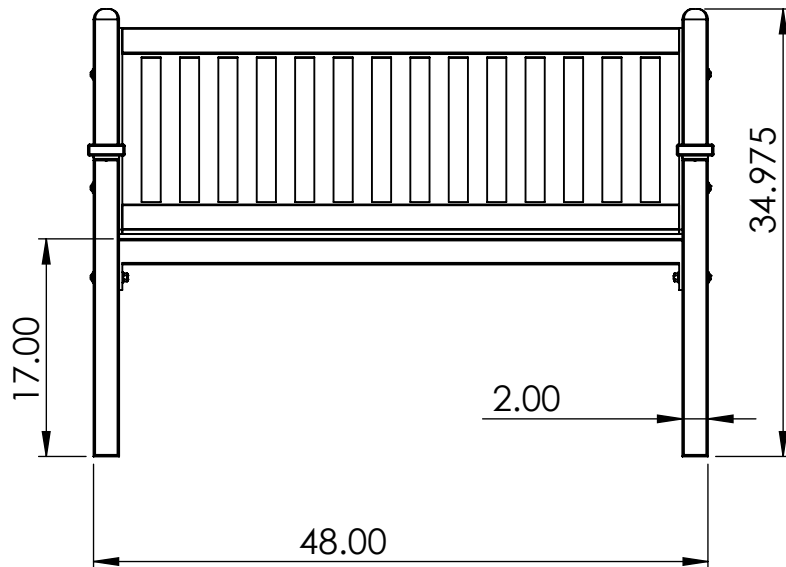
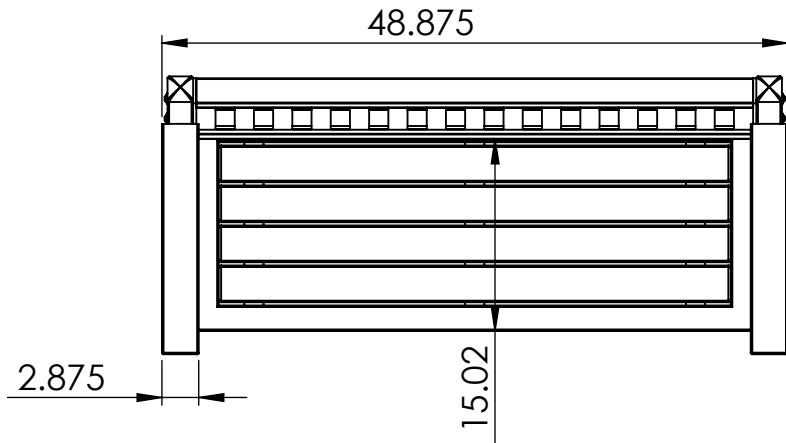


# SPECS. BM1504

REV# 2  
12-19-16



ALL DIMENSIONS SHOWN IN INCHES, UNLESS NOTED