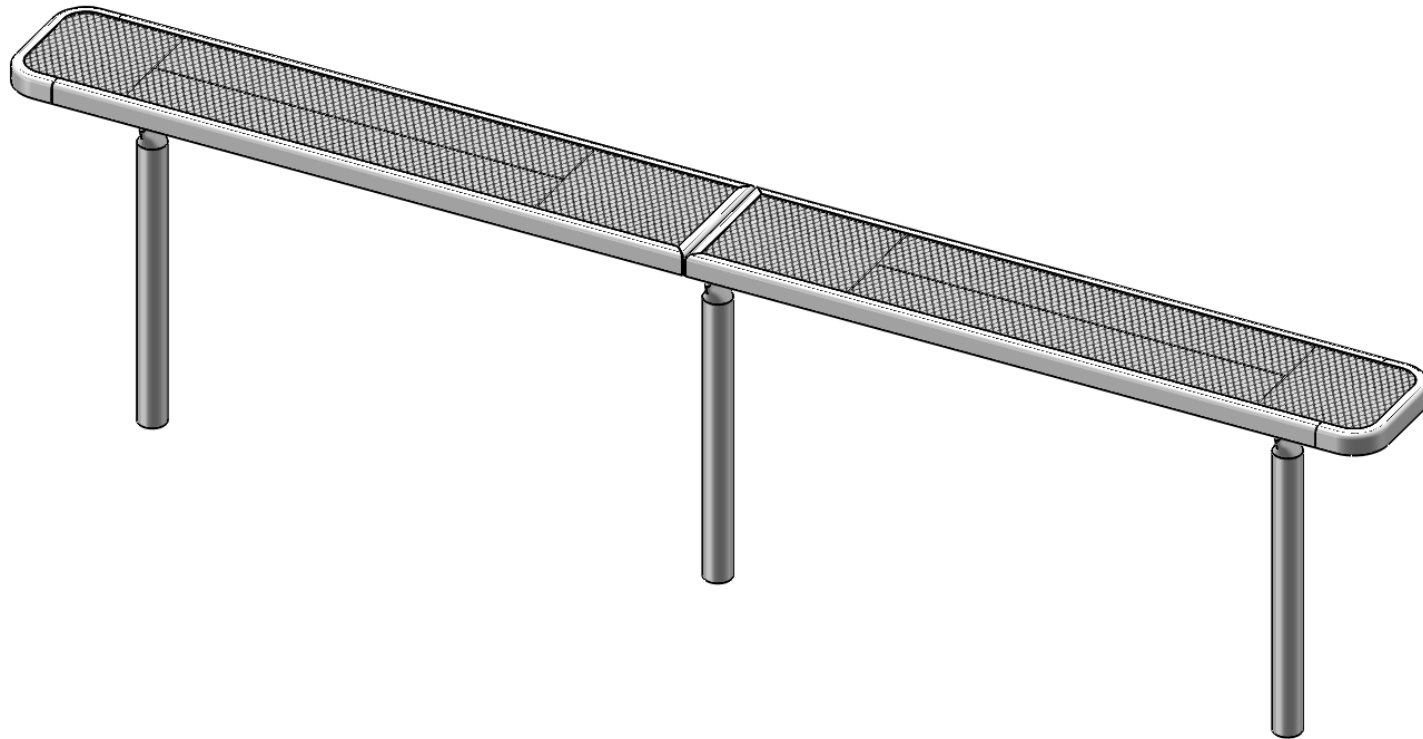
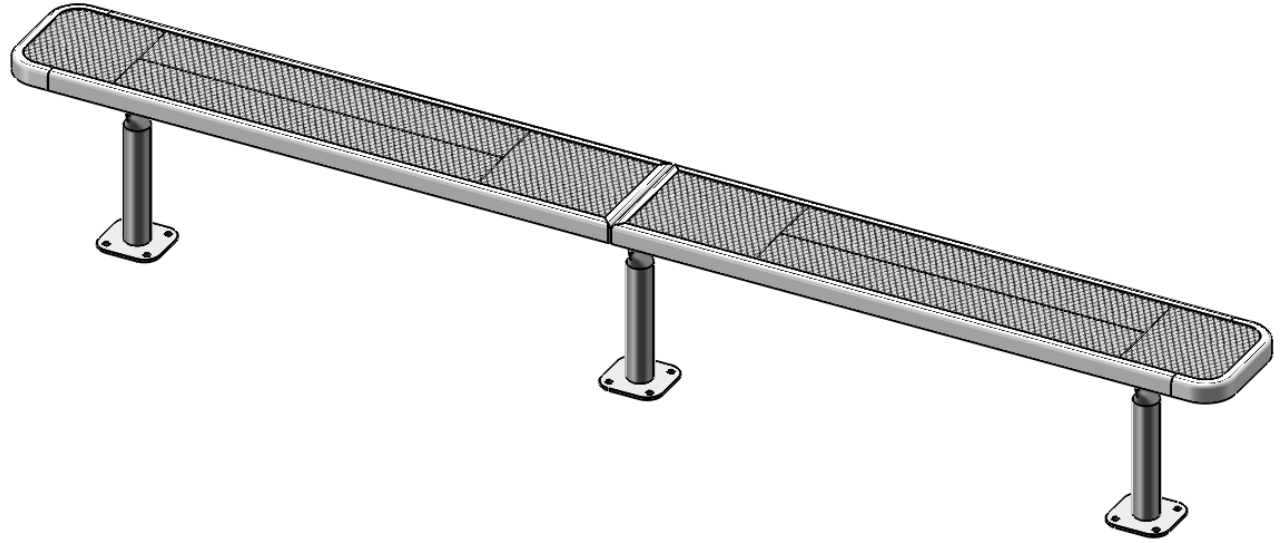


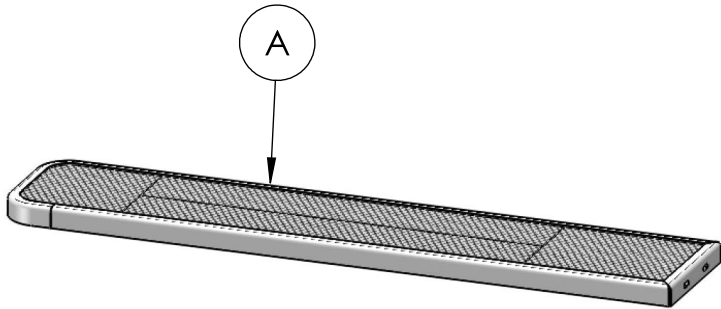
INSTRUCTIONS

10 FT Backless Benches, Inground & Surface Mount

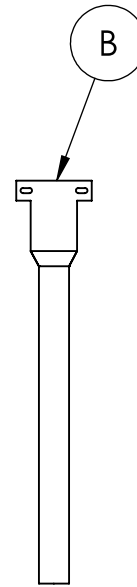


INSTRUCTIONS

Inground Mount

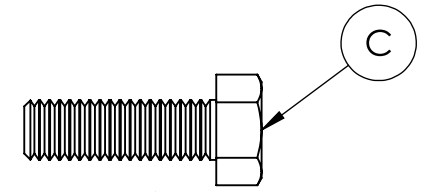


2
Seats

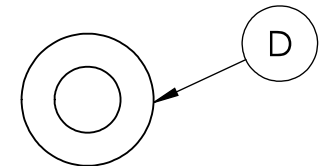


3
Bench Ends

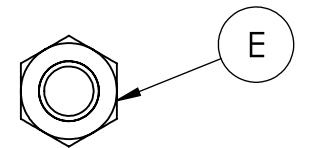
HARDWARE



6
M8 x 25
Hex Head Bolts



12
M8 Flat Washer



6
M8 Hex Nut

REQUIRED TOOLS (NOT INCLUDED)

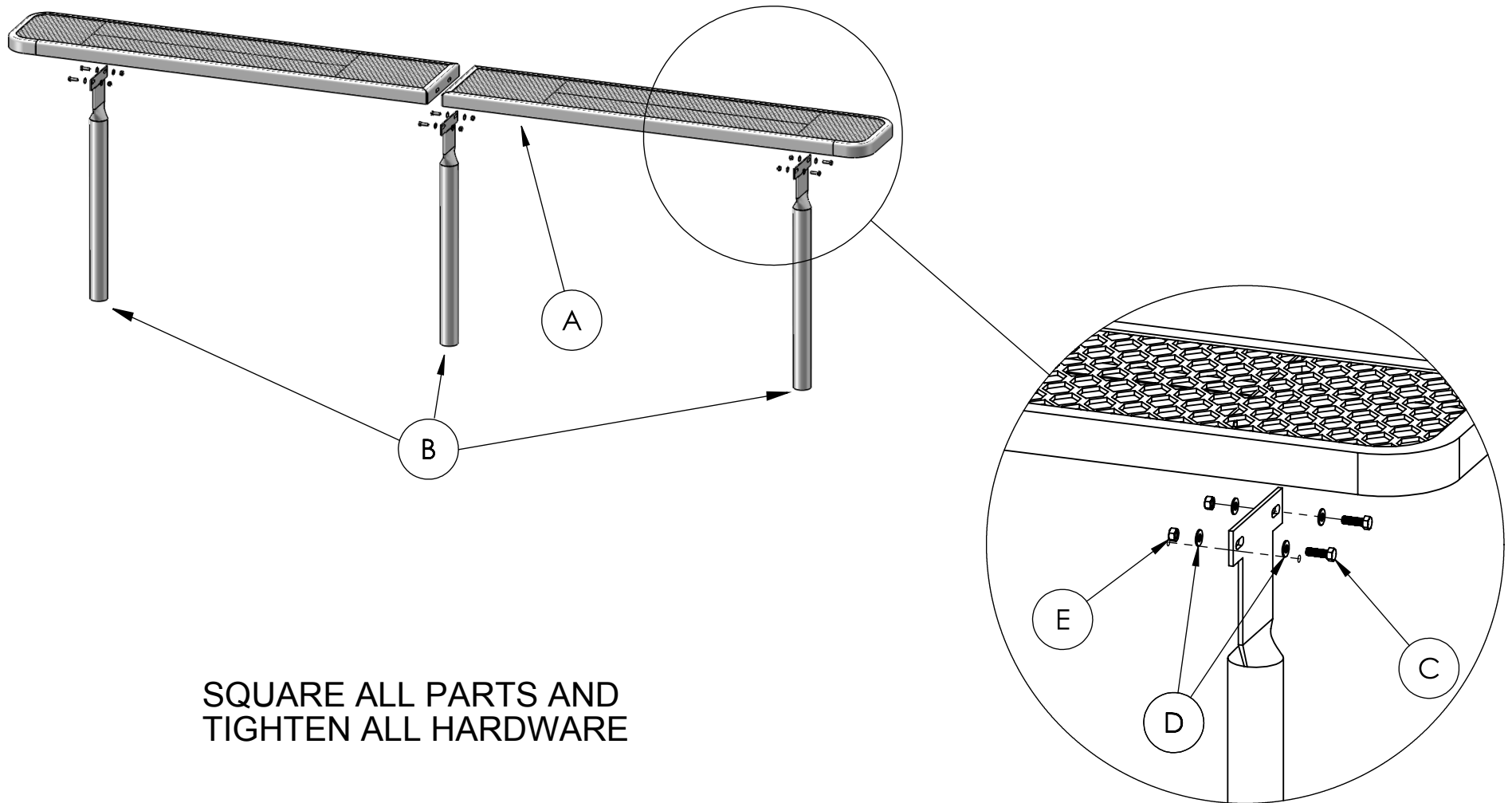
- 1 - 13MM WRENCH
- 1 - 13MM SOCKET

NOTE: IT IS IMPORTANT TO KEEP ALL BOLTS FINGER TIGHT DURING ASSEMBLY UNTIL ENTIRE UNIT IS ASSEMBLED

**HARDWARE &
TOOLS REQUIRED
FOR ASSEMBLY**

2/4

INSTRUCTIONS



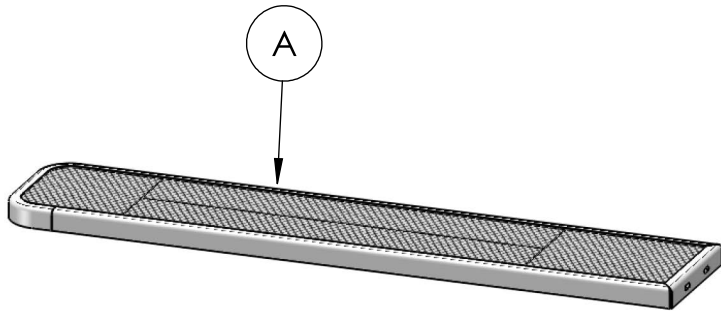
SQUARE ALL PARTS AND
TIGHTEN ALL HARDWARE

**ATTACH SEATS
TO BENCH ENDS**

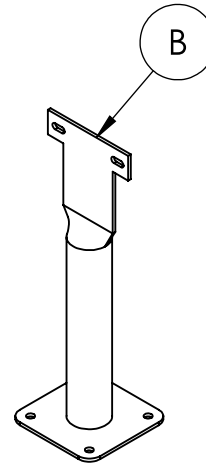
3/4

INSTRUCTIONS

Surface Mount

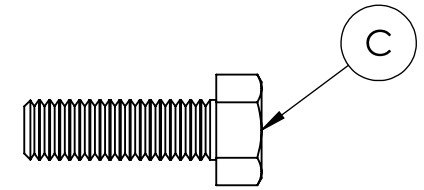


2
Seats

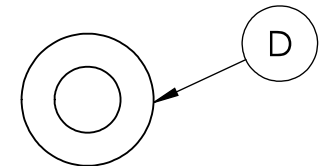


3
Bench Ends

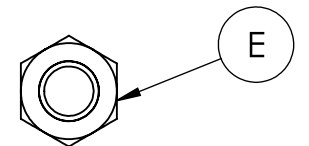
HARDWARE



6
M8 x 25
Hex Head Bolts



12
M8 Flat Washer



6
M8 Hex Nut

REQUIRED TOOLS (NOT INCLUDED)

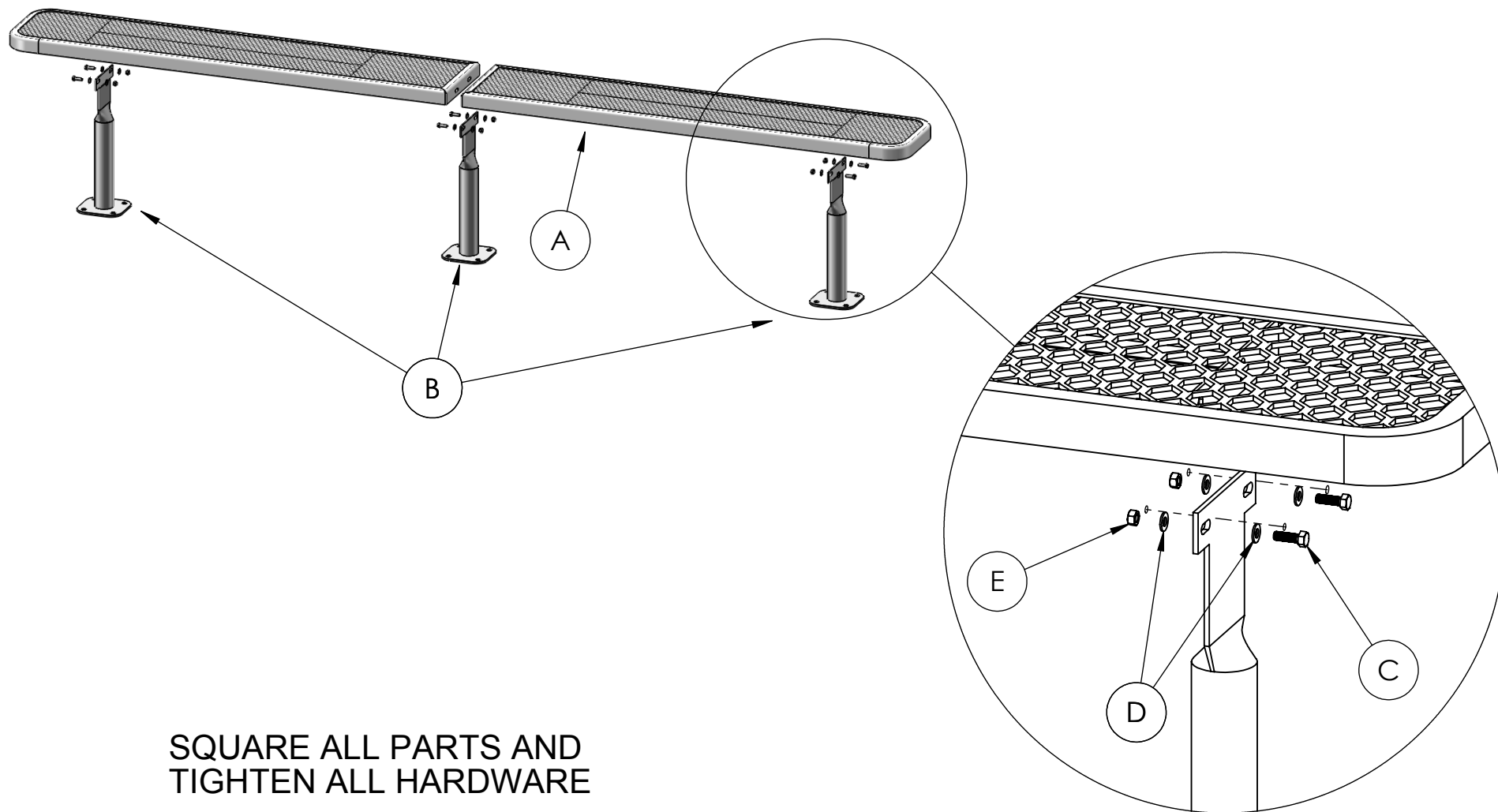
- 1 - 13MM WRENCH
- 1 - 13MM SOCKET

NOTE: IT IS IMPORTANT TO KEEP ALL BOLTS FINGER TIGHT DURING ASSEMBLY UNTIL ENTIRE UNIT IS ASSEMBLED

**HARDWARE &
TOOLS REQUIRED
FOR ASSEMBLY**

2/4

INSTRUCTIONS



SQUARE ALL PARTS AND
TIGHTEN ALL HARDWARE

**ATTACH SEATS
TO BENCH ENDS**

3/4