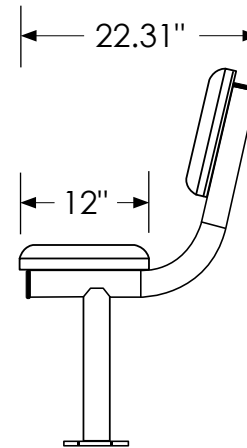
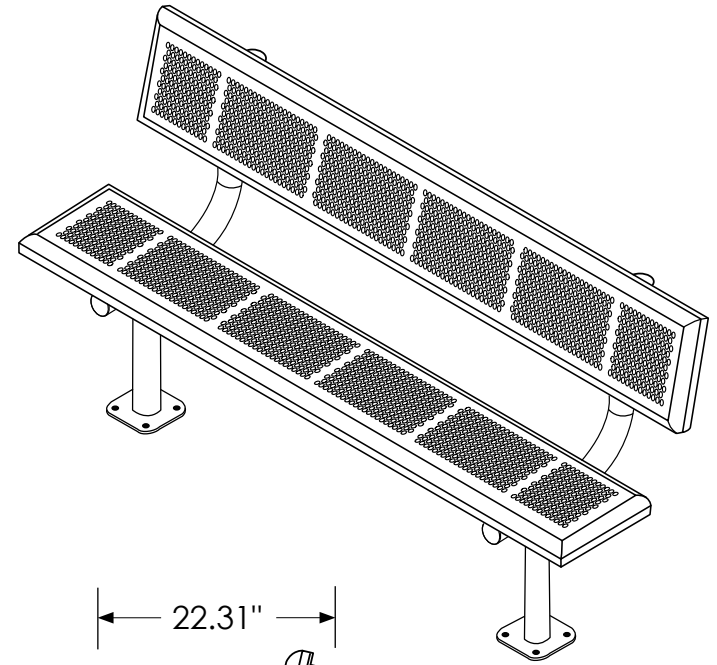
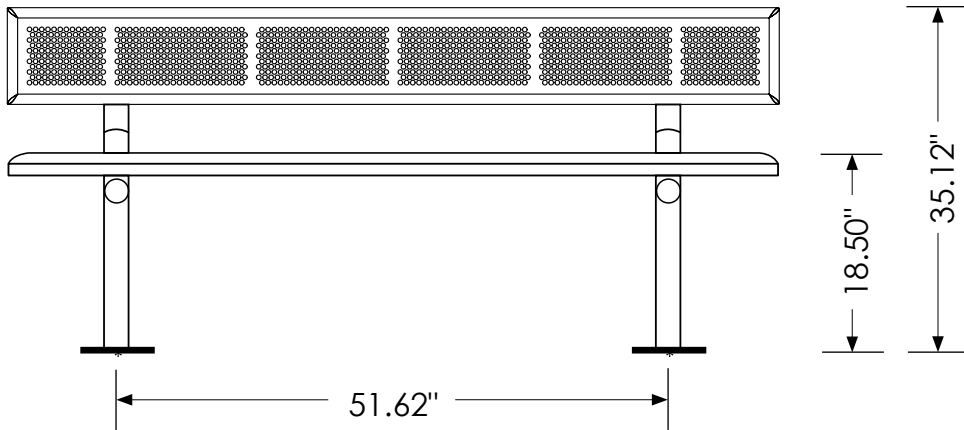
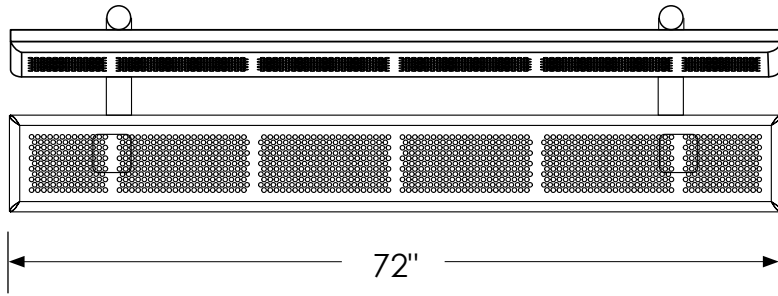


# COMFORT™ SURFACE BENCH W/ BACK SPECIFICATIONS



**TOTAL WEIGHT:** 78 lbs

- NOTES:**
- 1) Material: Bench Top - Steel with Thermoplastic Coating;  
Frames - Steel with Powder Coating
  - 2) Assembly hardware included
  - 3) Surface mount hardware not included